



# LED LIGHTING SOLUTIONS

Revolutionary Concepts For Shipboard Lighting

## LLS COMXCAN LED MARINE CAN/DOWN LIGHT



### Model No. **LLS-COMXCAN**

#### Product Features

- 115/277VAC 50/60Hz
- Power Options: 20Watts
- 100lm/w
- 2,000 Lumens
- IP22/IP44
- Emergency Battery Backup 4Watts @ 180Min.
- Emergency AC (100-277VAC) or DC (18-36V)
- Working Temperature: -25~+55 C
- 4000K
- 100,000 Hours
- Weight: 2lbs
- Heat Resistant PC Lens
- Aluminum Alloy Body
- Spring Loaded Clips for easy installation
- Dimming Option Available Upon Request
- Marine Grade, ABS (Pending)



@LEDLIGHTINGSOLUTIONS

DIRECT.Info@1LLS.com

OFFICE.855.309.1702 FAX.941.296.7313

WWW.LEDLIGHTINGSOLUTIONS.COM

All rights reserved. LED Lighting Solutions reserves the right to change specifications for product improvement without prior notice.



# LED LIGHTING SOLUTIONS

Revolutionary Concepts For Shipboard Lighting



## Ordering Part Number:

LLS-COMXCAN-20-40-115-\_\_\_\_\_

**EMB** (EM Battery)

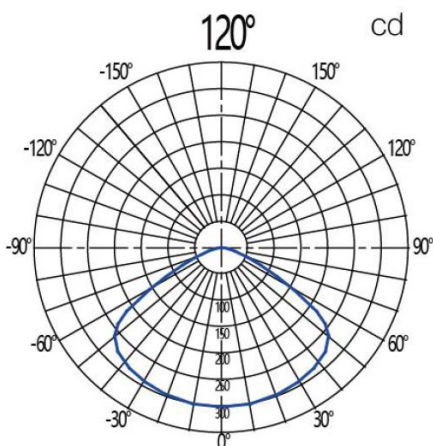
**EMAC** (EM AC Voltage)

**EMDC** (EM DC Voltage)

## CONFIGURATION EXAMPLE

<b>Part No.</b>	LLS-COMXCAN-20-40-115-EMB
<b>Description</b>	LLS LED Can Light, 20Watt, 4000K, 115/277VAC, Emergency Battery

### LLS-COMXCAN Distribution



### LLS-COMXCAN Dimensions

