



LED LIGHTING SOLUTIONS

MILITARY GRADE ◦ INDUSTRY READY

LLS100 LED TUBE SERIES

FEATURES AND BENEFITS

- Single Ended Power
- No Ballast Required
- 10 Year Warranty
- Made in the USA
- Aluminum Construction / Polycarbonate

IGRR UL
CERTIFIED



SPECIFICATIONS

Length	2' / 3' / 4'
Color Temperature	3500K, 4000K and 5000K
Lens	Frosted and Clear
Input Voltage	120-277VAC 50/60Hz
Connection	Medium Bi-Pin G13
Driver	Single Ended Power
CRI	>80
Dimming	Non-Dimmable
Lifetime	Rated Life of 50,000 Hrs (L70)
Temperature Rating	Operating Temp -20 to +50° C
Regulatory	UL, cUL, DLC, IGRR
Warranty	10 Years



- * Non-Shunted Tombstones Required
- * Turn off power before Installing LED Tube



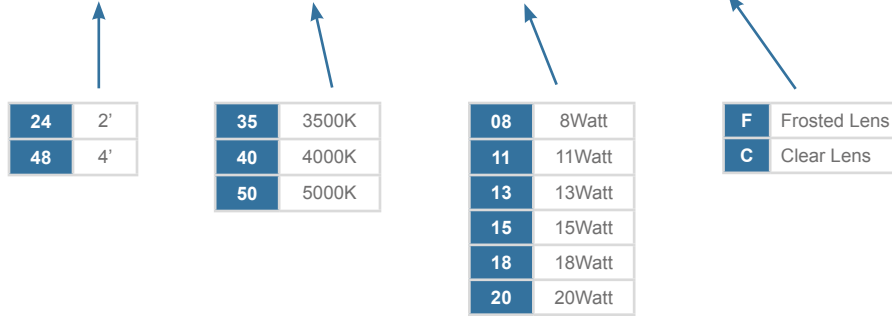


LED LIGHTING SOLUTIONS

Revolutionary Concept For Shipboard Lighting

LLS100 TUBE CONFIGURATIONS

LLS100- _____ - _____ - _____ - _____ USA



PRODUCT BREAKDOWN

Part Number	Size	Power	Lumens	Voltage	Power Factor	Direct Wire
LLS100-24-35-08-FUSA	24"	8	1180	120/277VAC	>0.95	YES
LLS100-24-40-08-FUSA			1200			
LLS100-24-50-08-FUSA			1200			
LLS100-48-35-11-FUSA	48"	11	1620	120/277VAC	>0.95	YES
LLS100-48-40-11-FUSA			1650			
LLS100-48-50-11-FUSA			1650			
LLS100-48-35-13-FUSA	48"	13	1939	120/277VAC	>0.95	YES
LLS100-48-40-13-FUSA			1950			
LLS100-48-50-13-FUSA			1950			
LLS100-48-35-15-FUSA	48"	15	2180	120/277VAC	>0.95	YES
LLS100-48-40-15-FUSA			2250			
LLS100-48-50-15-FUSA			2250			
LLS100-48-35-18-FUSA	48"	18	2259	120/277VAC	>0.95	YES
LLS100-48-40-18-FUSA			2520			
LLS100-48-50-18-FUSA			2520			
LLS100-48-35-20-FUSA	48"	20	2948	120/277VAC	>0.95	YES
LLS100-48-40-20-FUSA			3000			
LLS100-48-50-20-FUSA			3000			

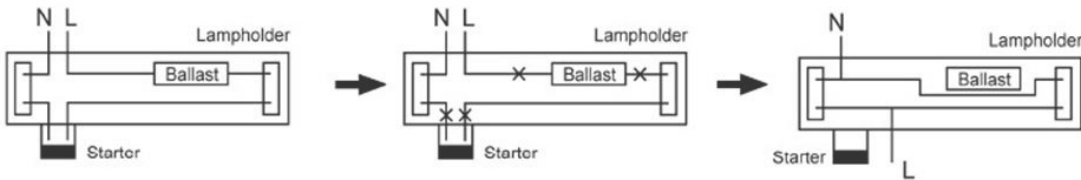


LED LIGHTING SOLUTIONS

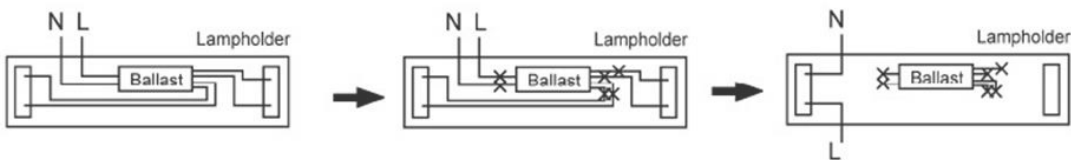
Revolutionary Concept For Shipboard Lighting

INSTALLATION INSTRUCTIONS

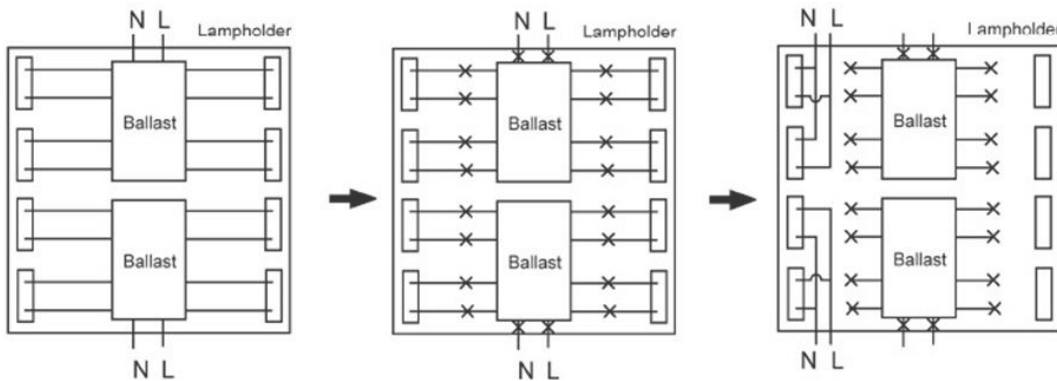
Inductance ballast type



Electronic ballast type



For more than one tube



1. Turn off the power to the light fixture at the breaker panel before installation.
2. Open the diffuser from the light fixture.
3. Remove the fluorescent tubes. **Please dispose of these items properly as they contain mercury.**
4. Open the wiring cover to expose the fluorescent ballasts.
5. Cut the wires as shown in the diagram above.
6. Make the new wire connections to the branch circuit as shown above.
7. Replace the cover over the wiring channel.
8. Install LED tubes and close the diffuser.