



LED LIGHTING SOLUTIONS

Revolutionary Concepts For Shipboard Lighting

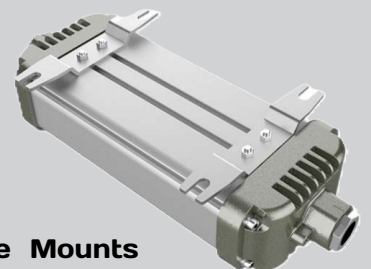
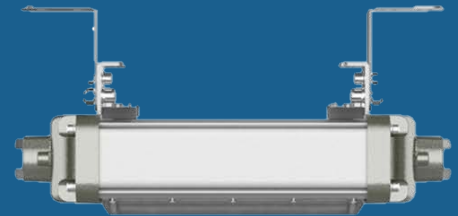
LLS360® COMX12 - 12" LED Linear Marine Fixture



Model No. *LLS360-COMX12*

Product Features

- 120/277VAC 50/60Hz
- Power Options: 20 & 30 Watts
- 120lm/w
- 2,400 - 3,600 Lumens
- IP66
- Beam Angle: 110 Degrees
- Working Temperature: -20~+40 C
- 4000 or 5000K
- 100,000 Hours
- **Weight: 3.75lbs**
- Dimensions: 13" x 4.9" x 3.03"
- Die Cast Aluminum, Stainless Steel Hardware
- Corrosion (WF2) & Impact Resistance
- Water and Dust Proof
- Adjustable/Sliding Brackets
- T5 or Better



Adjustable Mounts



LED LIGHTING SOLUTIONS

Revolutionary Concepts For Shipboard Lighting

LLS360-COMX1 FIXTURE CONFIGURATIONS

LLS360-COMX12- _____ - _____ - LV- VM

20(Watt) 40 (Kelvin)

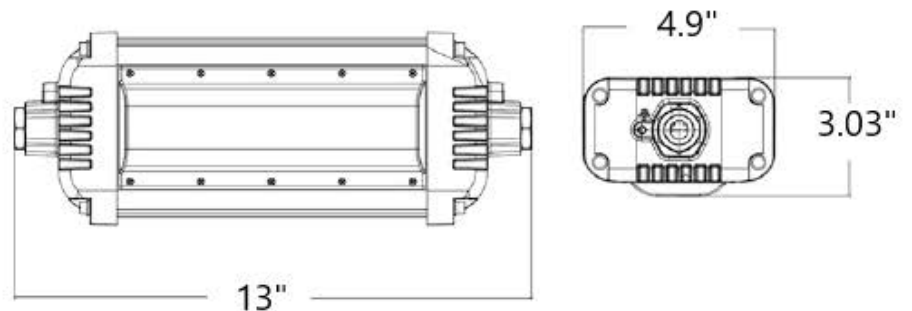
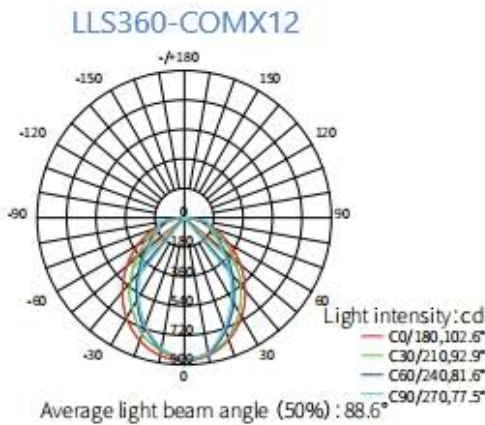
30(Watt) 50 (Kelvin)

CONFIGURATION EXAMPLE

Part No. LLS360-COMX12-20-40-LV-VM
Description LLS360 LED 12' Linear, 20Watt, 4000K, 120/277VAC, Adjustable Vessel Mount

Light Distribution

LLS360-COMX12 Dimensions





LED LIGHTING SOLUTIONS

Revolutionary Concepts For Shipboard Lighting

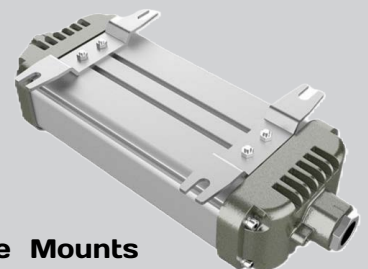
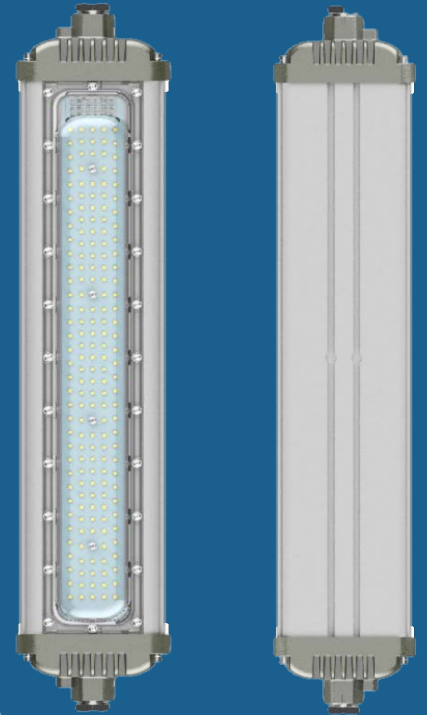
LLS360® COMX24 - 2' LED Linear Marine Fixture



Model No. **LLS360-COMX24**

Product Features

- 120/277VAC 50/60Hz
- Power Options: 20/40/60Watts
- 120lm/w
- 2,400 - 4,800 - 7,200 Lumens
- IP66
- Beam Angle: 110 Degrees
- Working Temperature: -20~+40 C
- 4000 or 5000K
- 100,000 Hours
- **Weight: 7lbs**
- Dimensions: 25" x 4.92" x 3.02"
- Die Cast Aluminum, Stainless Steel Hardware
- Corrosion (WF2) & Impact Resistance
- Water and Dust Proof
- Adjustable/Sliding Brackets
- T5 or Better



Adjustable Mounts



LED LIGHTING SOLUTIONS

Revolutionary Concepts For Shipboard Lighting

LLS360-COMX24 FIXTURE CONFIGURATIONS

LLS360-COMX24- _____ - _____ - LV- VM

20(Watt) 40 (Kelvin)

40(Watt) 50 (Kelvin)

60(Watt)

CONFIGURATION EXAMPLE

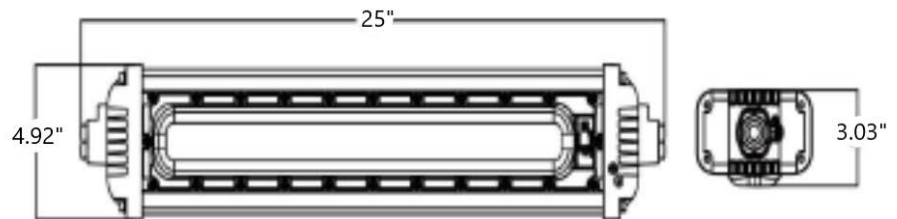
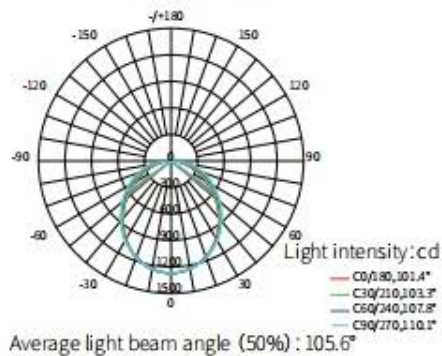
Part No. LLS360-COMX24-40-40-LV-VM

Description LLS360 LED 2' Linear, 40Watt, 4000K, 120/277VAC, Adjustable Vessel Mount

Light Distribution

LLS360-COMX24 Dimensions

LLS360-COMX24





LED LIGHTING SOLUTIONS

Revolutionary Concepts For Shipboard Lighting

LLS360® COMX48 - 4' LED Linear Marine Fixture



Model No.
LLS360-COMX48120

Product Features

- 120/277VAC 50/60Hz
- Power Options: 120Watts
- 120lm/w
- 14,400 Lumens
- IP66
- Beam Angle: 110 Degrees
- Working Temperature: -20~+40 C
- 4000 or 5000K
- 100,000 Hours
- **Weight: 10.36lbs**
- Dimensions: 45" x 4.92" x 3.03"
- Die Cast Aluminum, SS Hardware
- Corrosion (WF2) & Impact Resistance
- Water and Dust Proof
- Adjustable/Sliding Brackets
- T5 or Better





LED LIGHTING SOLUTIONS

Revolutionary Concepts For Shipboard Lighting

LLS360-COMX48 FIXTURE CONFIGURATIONS

LLS360-COMX48-120 - _____ - LV- VM

40 (Kelvin)

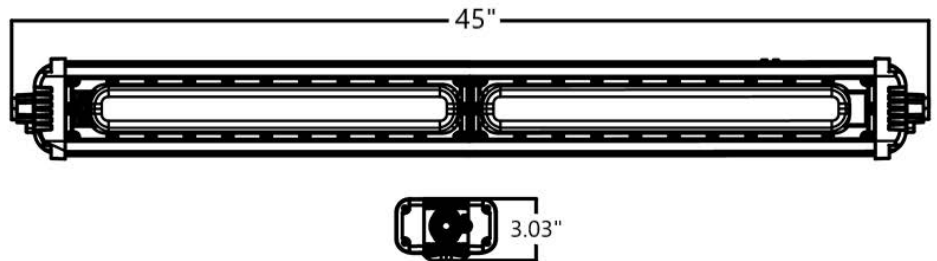
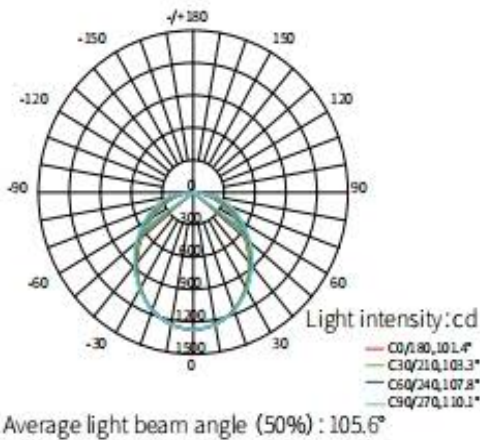
50 (Kelvin)

CONFIGURATION EXAMPLE

Part No.	LLS360-COMX48-120-40-LV-VM
Description	LLS360 LED 4' Linear, 120Watt, 4000K, 120/277VAC, Adjustable Vessel Mount

Light Distribution

LLS360-COMX48120 Dimensions





LED LIGHTING SOLUTIONS

Revolutionary Concepts For Shipboard Lighting

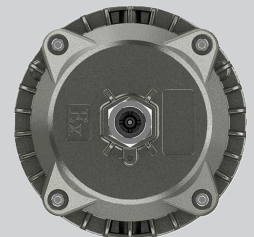
LLS360® COMXDL10 - LED MARINE DOWNLIGHT



Model No. **LLS360-COMXDL10**

Product Features

- 120/277VAC 50/60Hz
- Power Options: 10Watts
- 120lm/w
- 1,200 Lumens
- IP66
- Beam Angle: 90 Degrees
- Working Temperature: -20~+40 C
- 5000K
- 100,000 Hours
- **Weight: 3lbs**
- Die Cast Aluminum, Stainless Steel Hardware
- Anti Corrosion (WF2) & Impact Resistance
- Water and Dust Proof
- Adjustable Yolk Mount
- Red Lens Available



©LEDLIGHTINGSOLUTIONS

DIRECT.Info@1LLS.com

OFFICE.855.309.1702 FAX.941.296.7313

WWW.LEDLIGHTINGSOLUTIONS.COM

All rights reserved. LED Lighting Solutions reserves the right to change specifications for product improvement without prior notice.



LED LIGHTING SOLUTIONS

Revolutionary Concepts For Shipboard Lighting

Ordering Part Number:

LLS360-COMXDL10-50-110-LV-YM - _____

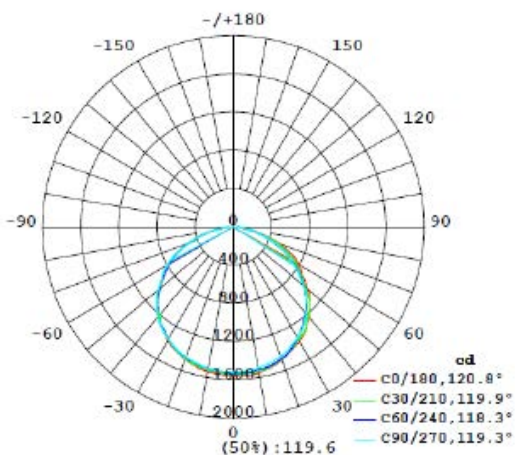
RL (Red Lens)

SD (Standard Diffused)

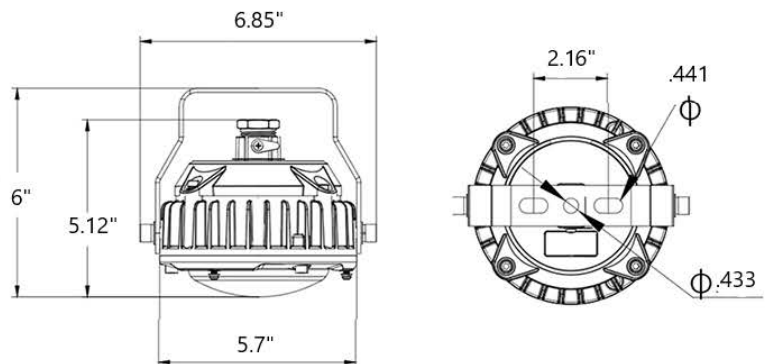
CONFIGURATION EXAMPLE

Part No.	LLS360-COMXDL10-50-110-LV-YM
Description	LLS360 LED Flood, 10Watt, 5000K, 110 Degree Beam Angle, 120/277VAC, Yolk Mount, Standard Diffused

LLS360-COMXDL10 Distribution



LLS360-COMXDL10 Dimensions





LED LIGHTING SOLUTIONS

Revolutionary Concepts For Shipboard Lighting

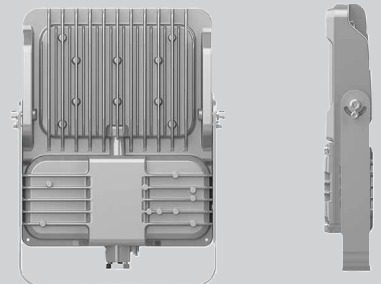
LLS360® COMXFL50, 80 or 100W - LED MARINE FLOOD



Model No. *LLS360-COMXFL50, 80 or 100W*

Product Features

- 120/277VAC 50/60Hz
- Power Options: 50, 80 or 100 Watts
- 120lm/w
- 6,000 - 9,600 or 12,000 Lumens
- IP66
- Beam Angle: 90 Degrees
- Working Temperature: -30~50 C
- 5000K
- 100,000 Hours
- **Weight: 10.25lbs**
- Die Cast Aluminum, Stainless Steel Hardware
- Anti Corrosion (WF2) & Impact Resistance
- Water and Dust Proof
- Adjustable Yolk Mount



@LEDLIGHTINGSOLUTIONS

DIRECT.Info@1LLS.com

OFFICE.855.309.1702 FAX.941.296.7313

WWW.LEDLIGHTINGSOLUTIONS.COM

All rights reserved. LED Lighting Solutions reserves the right to change specifications for product improvement without prior notice.



LED LIGHTING SOLUTIONS

Revolutionary Concepts For Shipboard Lighting

Ordering Part Number:

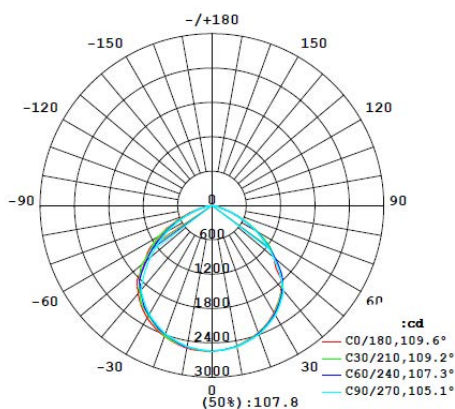
LLS360-COMXFL____-50-90-LV-YM

50
80
100

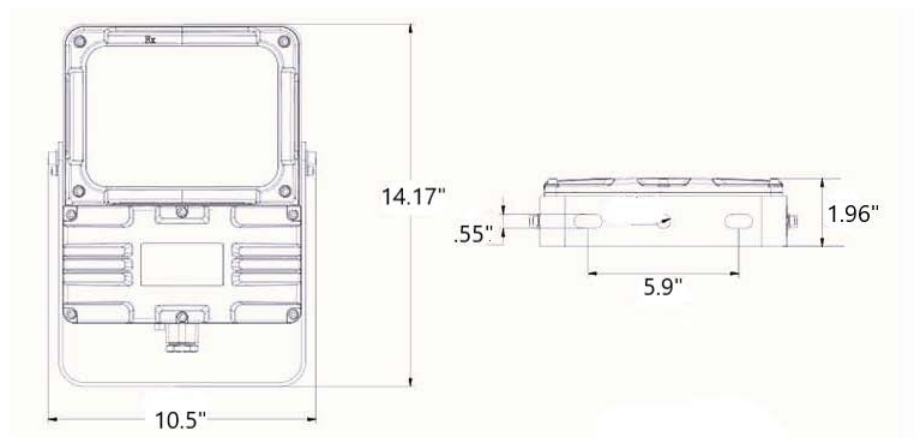
CONFIGURATION EXAMPLE

Part No.	LLS360-COMXFL80-50-90-LV-YM
Description	LLS360 LED Flood, 80Watt, 5000K, 90 Degree Beam Angle, 120/277VAC, Adjustable Yolk Mount

LLS360-COMXFL80 Distribution



LLS360-COMXFL80 Dimensions





LED LIGHTING SOLUTIONS

Revolutionary Concepts For Shipboard Lighting

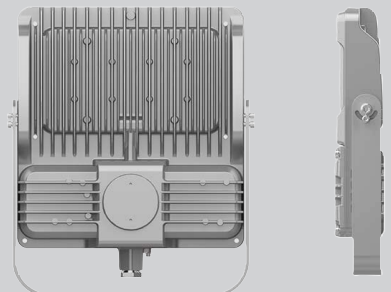
LLS360® COMXFL120/150 - LED MARINE FLOOD



Model No. *LLS360-COMXFL120* *LLS360-COMXFL150*

Product Features

- 120/277VAC 50/60Hz
- Power Options: 120 or 150Watts
- 120lm/w
- 14,400 or 18,000 Lumens
- IP66
- Beam Angle: 120 Degrees
- Working Temperature: -30~+50 C
- 5000K
- 100,000 Hours
- **Weight: 12.6lbs**
- Die Cast Aluminum, Stainless Steel Hardware
- Anti Corrosion (WF2) & Impact Resistance
- Water and Dust Proof
- Adjustable Yolk Mount



©LEDLIGHTINGSOLUTIONS

DIRECT.Info@1LLS.com

OFFICE.855.309.1702 FAX.941.296.7313

WWW.LEDLIGHTINGSOLUTIONS.COM

All rights reserved. LED Lighting Solutions reserves the right to change specifications for product improvement without prior notice.



LED LIGHTING SOLUTIONS

Revolutionary Concepts For Shipboard Lighting



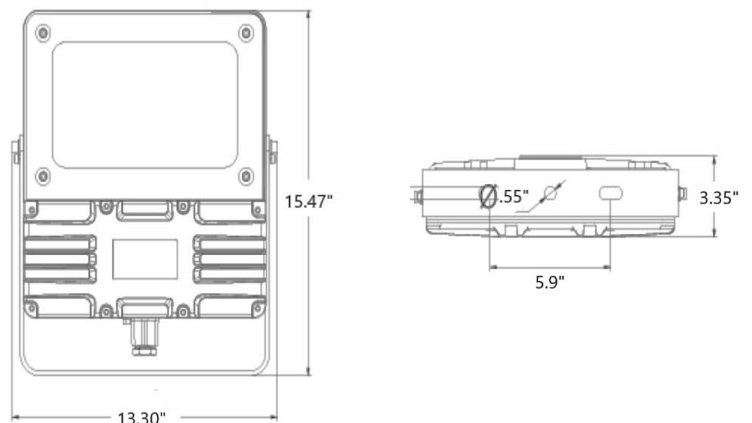
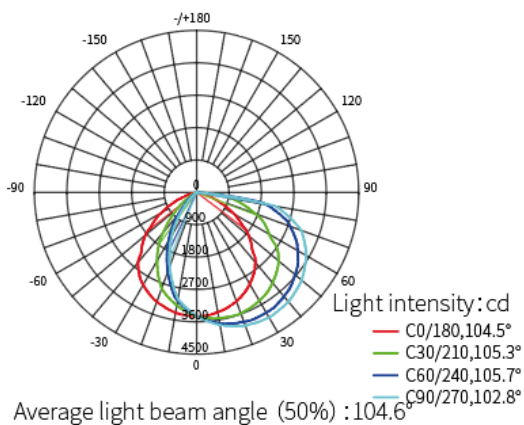
Ordering Part Number:

LLS360-COMXFL____-50-120-LV-YM
120
150

CONFIGURATION EXAMPLE

Part No. LLS360-COMXFL150-50-90-LV-YM
Description LLS360 LED Flood, 150Watt, 5000K, 120 Degree Beam Angle, 120/277VAC, Adjustable Yolk Mount

LLS360-COMXFL150 Distribution LLS360-COMXFL120 & 150 Dimensions





LED LIGHTING SOLUTIONS

Revolutionary Concepts For Shipboard Lighting

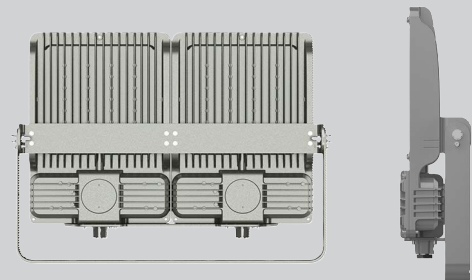
LLS360® COMXFL360 - LED MARINE FLOOD



Model No. **LLS360-COMXFL360**

Product Features

- 120/277VAC 50/60Hz
- Power Options: 360Watts
- 120lm/w
- 43,200 Lumens
- IP65
- Beam Angle: 120 Degrees
- Working Temperature: -30~+50 C
- 5000K
- 100,000 Hours
- **Weight: 35lbs**
- Die Cast Aluminum, Stainless Steel Hardware
- Anti Corrosion (WF2) & Impact Resistance
- Water and Dust Proof
- Adjustable Yolk Mount



©LEDLIGHTINGSOLUTIONS

DIRECT.Info@1LLS.com

OFFICE.855.309.1702 FAX.941.296.7313

WWW.LEDLIGHTINGSOLUTIONS.COM

All rights reserved. LED Lighting Solutions reserves the right to change specifications for product improvement without prior notice.



LED LIGHTING SOLUTIONS

Revolutionary Concepts For Shipboard Lighting

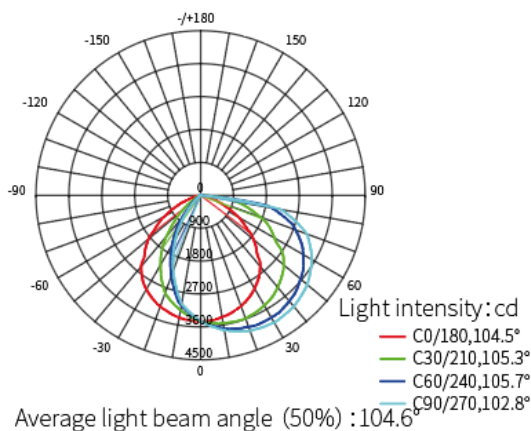
Ordering Part Number:

LLS360-COMXFL360-50-120-LV-YM

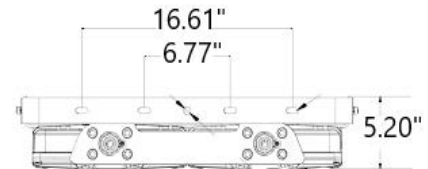
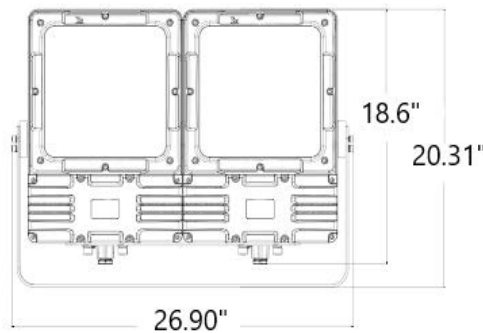
CONFIGURATION EXAMPLE

Part No.	LLS360-COMXFL360-50-100-LV-YM
Description	LLS360 LED Flood, 360Watt, 5000K, 120 Degree Beam Angle, 120/277VAC, Adjustable Yolk Mount

LLS360-COMXFL360 Distribution



LLS360-COMXFL360 Dimensions





LED LIGHTING SOLUTIONS

Revolutionary Concepts For Shipboard Lighting

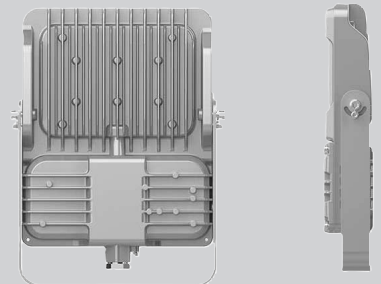
LLS360® COMXWL80 - LED MARINE FLOOD



Model No. *LLS360-COMXWL80 Waterline*

Product Features

- 120/277VAC 50/60Hz
- Power Options: 80 Watts
- 120lm/w
- 9,600 Lumens
- IP66
- Beam Angle: 90 Degrees
- Working Temperature: -30~50 C
- 5000K
- 100,000 Hours
- **Weight: 10.25lbs**
- Die Cast Aluminum, Stainless Steel Hardware
- Anti Corrosion (WF2) & Impact Resistance
- Water and Dust Proof
- Adjustable Yolk Mount



@LEDLIGHTINGSOLUTIONS

DIRECT.Info@1LLS.com

OFFICE.855.309.1702 FAX.941.296.7313

WWW.LEDLIGHTINGSOLUTIONS.COM

All rights reserved. LED Lighting Solutions reserves the right to change specifications for product improvement without prior notice.



LED LIGHTING SOLUTIONS

Revolutionary Concepts For Shipboard Lighting

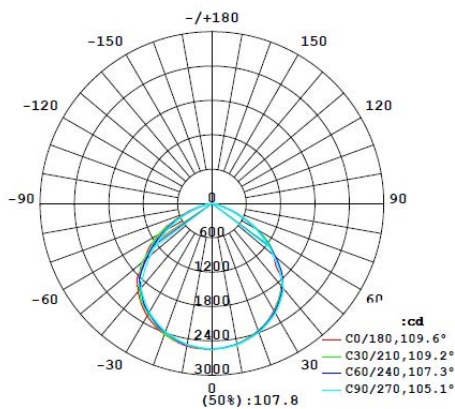
Ordering Part Number:

LLS360-COMXWL80-50-90-LV-PM-PL

CONFIGURATION EXAMPLE

Part No.	LLS360-COMXFL80-50-90-LV-YMPM-PL
Description	LLS360 LED Flood, 80Watt, 5000K, 90 Degree Beam Angle, 120/277VAC, Adjustable Poll Mount, 10" whip and plug

LLS360-COMXWL80 Distribution



LLS360-COMXWL80 Dimensions

