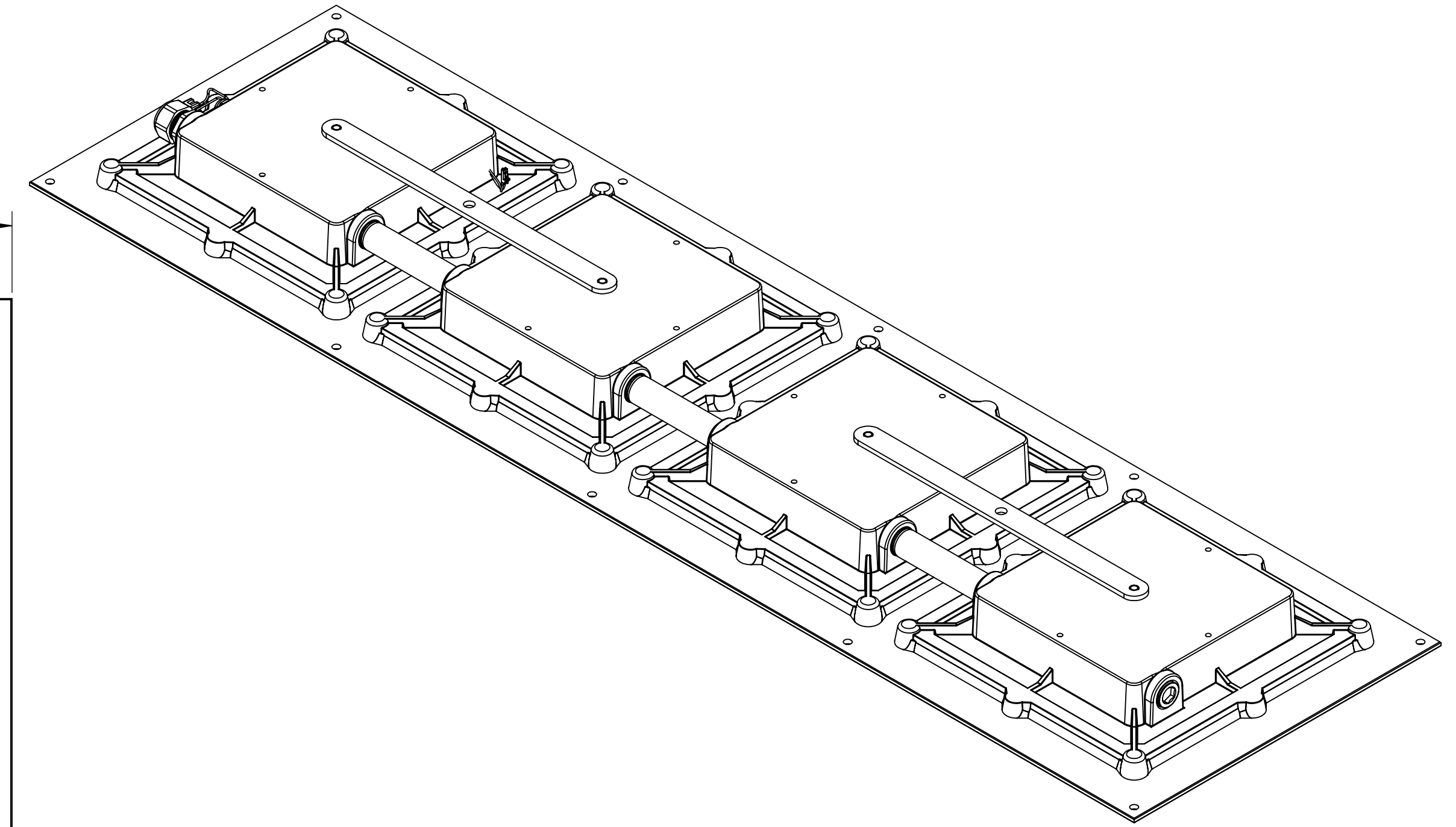
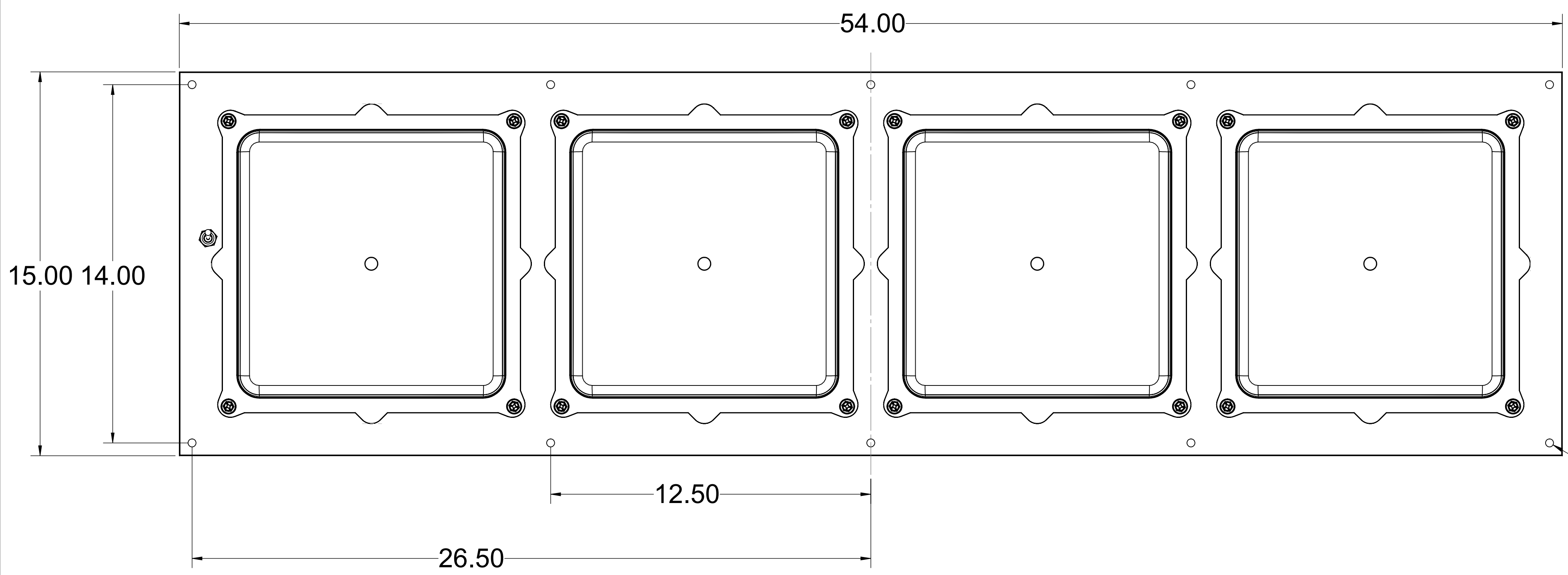
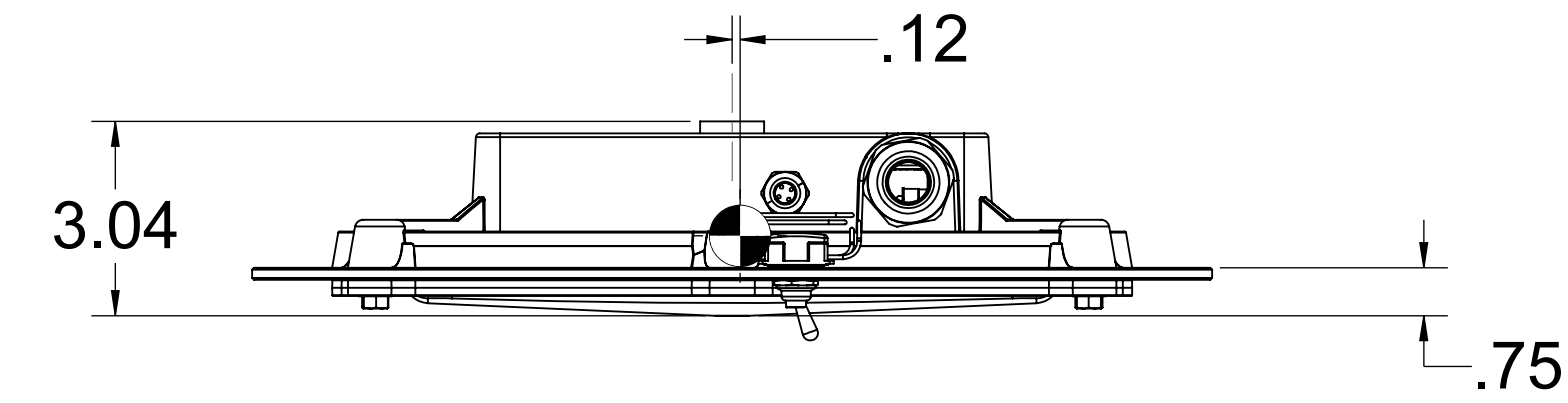
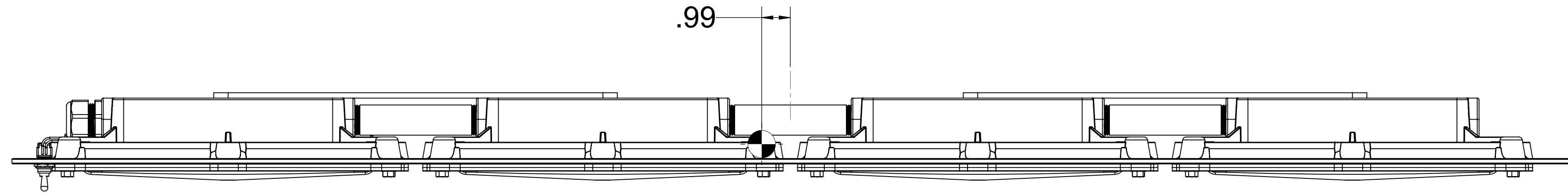


REVISIONS				
ZONE	REV.	DESCRIPTION	DATE	APPROVED
ALL	A	GENERATION 2 INITIAL RELEASE	2/18/25	2/18/25



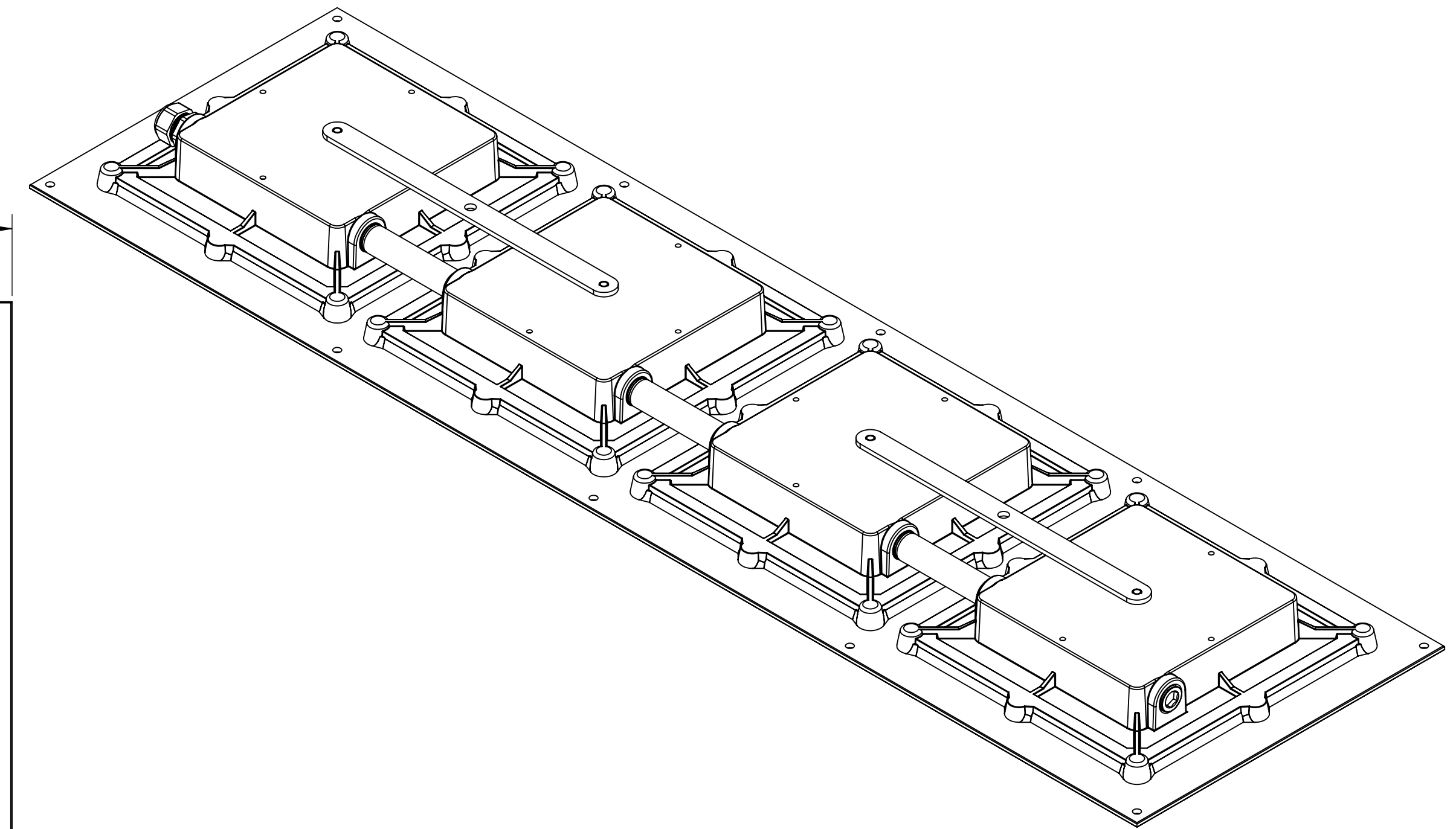
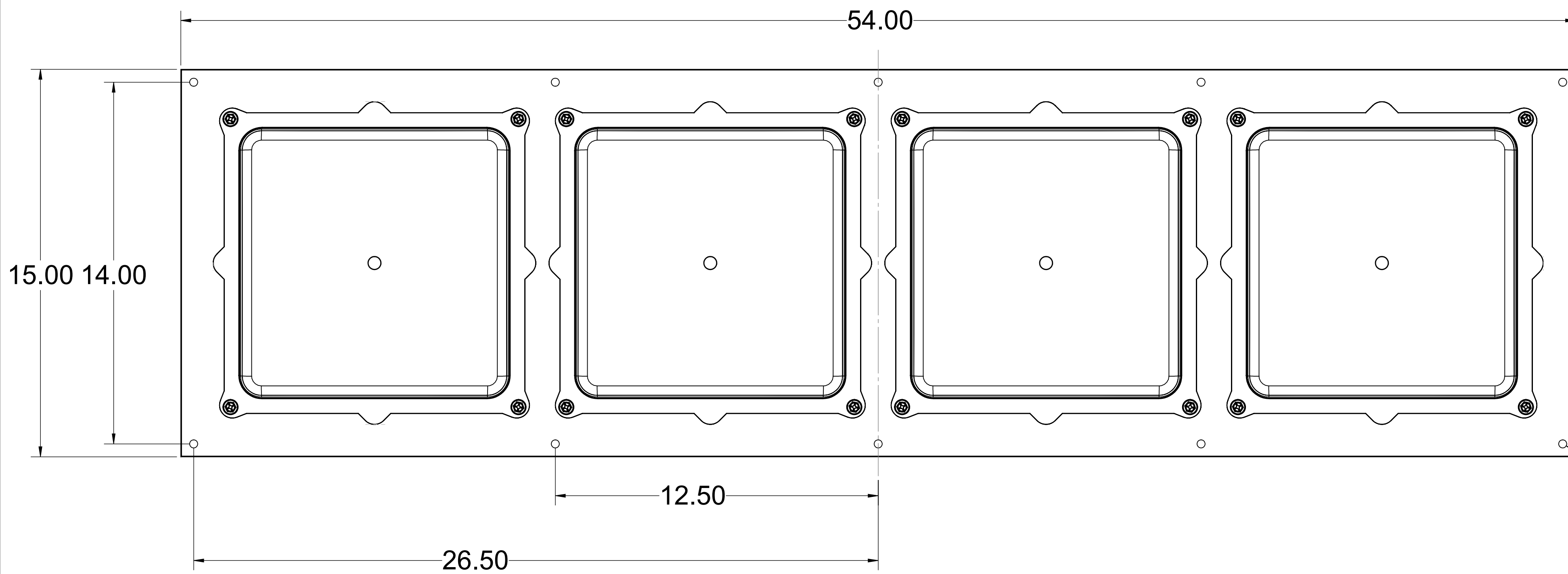
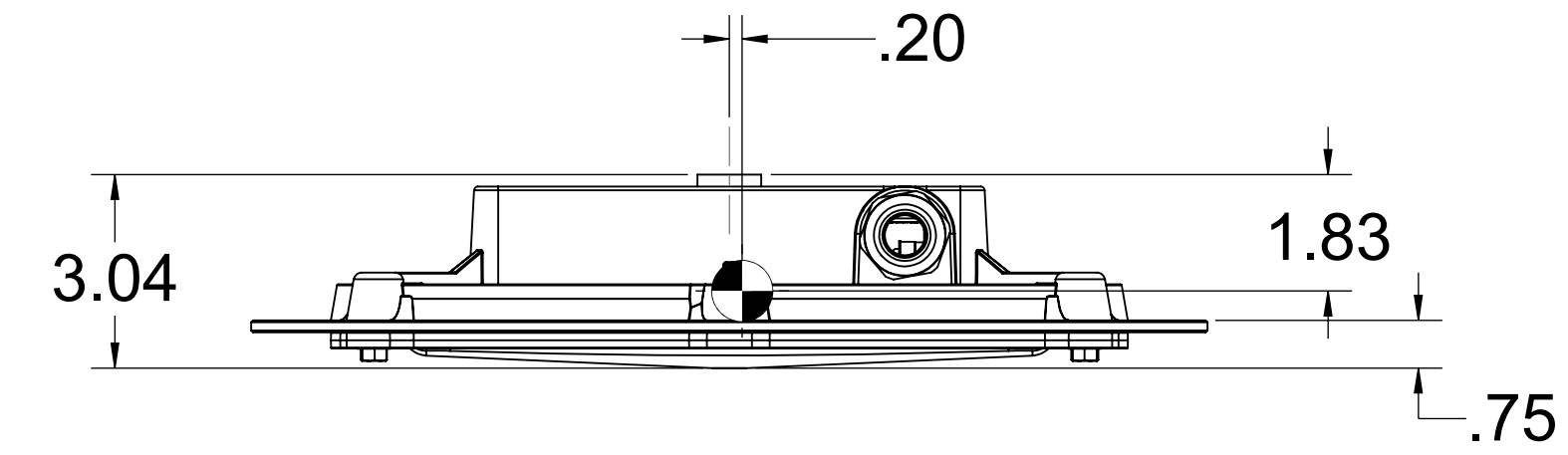
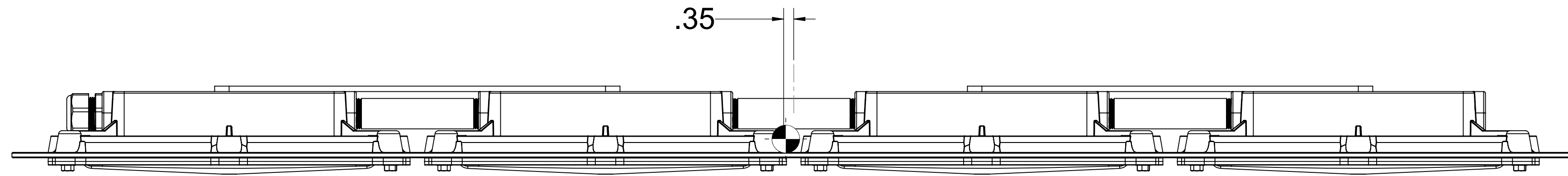
**FIXTURE WEIGHT (W/OUT CABLE) = 39 lbs**  
**115VAC, 60Hz, INPUT**  
**120 WATT WHITE LIGHT OUTPUT (WHITE ONLY)**  
**30W (RED MODE)**  
**30W (CYAN MODE)**  
**NON-EMERGENCY BACKUP TYPE**

LLS MODEL NUMBER	DESCRIPTION	NSN
LLS360-MILX12-8-40-FD-EM	LIGHT, SSL120W,120VAC, STANDARD MOUNT, NON-EMERGENCY, WHITE	
LLS360-MILX12-8-40-FD-EMRW	LIGHT, SSL120W,120VAC, STANDARD MOUNT, NON-EMERGENCY, WHITE/RED	
LLS360-MILX12-8-40-FD-EMCW	LIGHT, SSL120W,120VAC, STANDARD MOUNT, NON-EMERGENCY, WHITE/CYAN	

UNLESS OTHERWISE SPECIFIED:  
 DIMENSIONS ARE IN INCHES  
 TOLERANCES:  
 ANGULAR ± .1 DEG  
 TWO PLACE DECIMAL ±0.01  
 THREE PLACE DECIMAL ±0.005

PROPRIETARY AND CONFIDENTIAL	MATERIAL: DIECAST ALUMINUM	FINISH: POWDERCOAT	DO NOT SCALE DRAWING	NAME: DARRELL P.	DATE: 2/18/25	LLS360, GEN2, STANDARD MOUNT, NON-EMERGENCY
THE INFORMATION CONTAINED IN THIS DRAWING IS THE SOLE PROPERTY OF [INSERT COMPANY NAME HERE]. ANY REPRODUCTION IN PART OR AS A WHOLE WITHOUT THE WRITTEN PERMISSION OF [INSERT COMPANY NAME HERE] IS PROHIBITED.				CHECKED: DARRELL P.	ENG APPR: DARRELL P.	SCALE: 1:3 CAGE CODE: 6Q972 SHEET 1 OF 2
				MFG APPR: DARRELL P.	Q.A. DARRELL P.	REV: A

REVISIONS				
ZONE	REV.	DESCRIPTION	DATE	APPROVED
ALL	A	GENERATION 2 INITIAL RELEASE	2/18/25	2/18/25



Ø .31 THRU

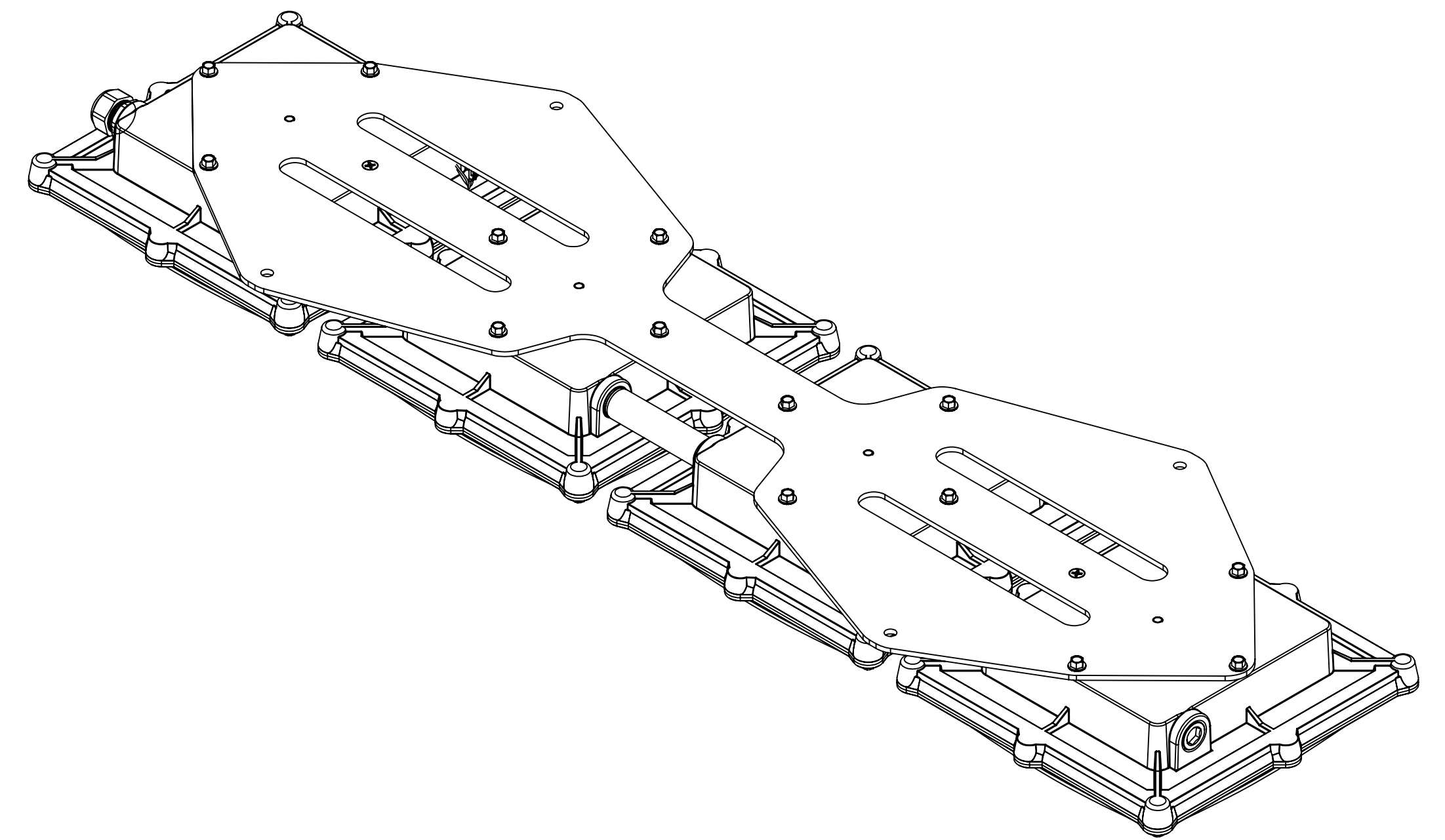
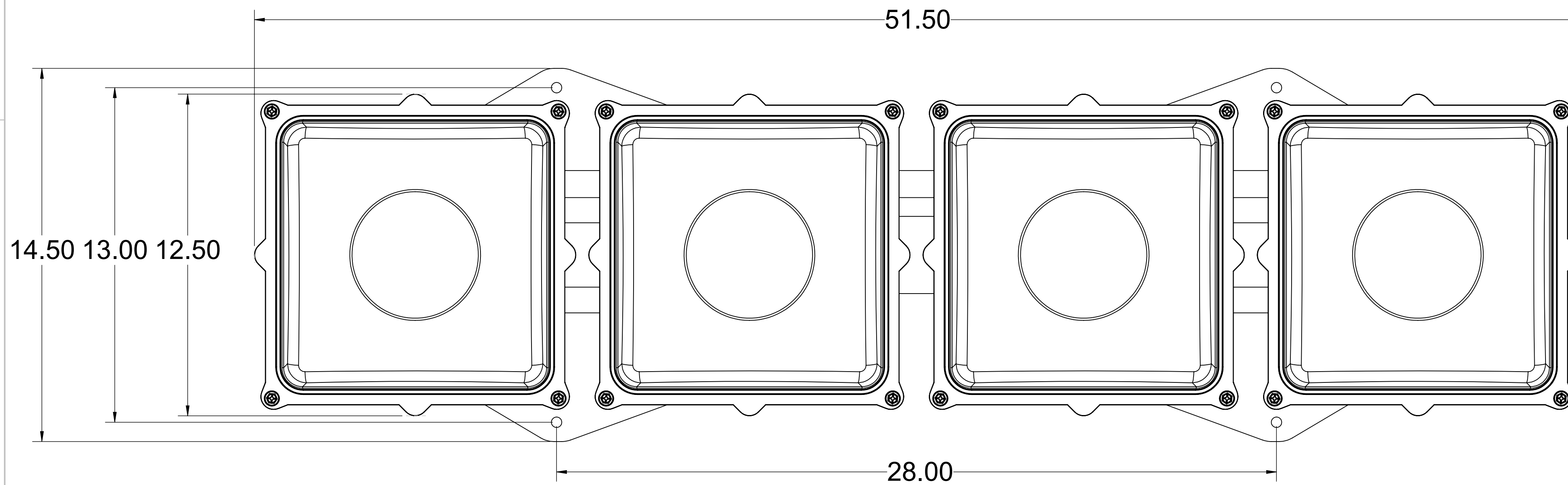
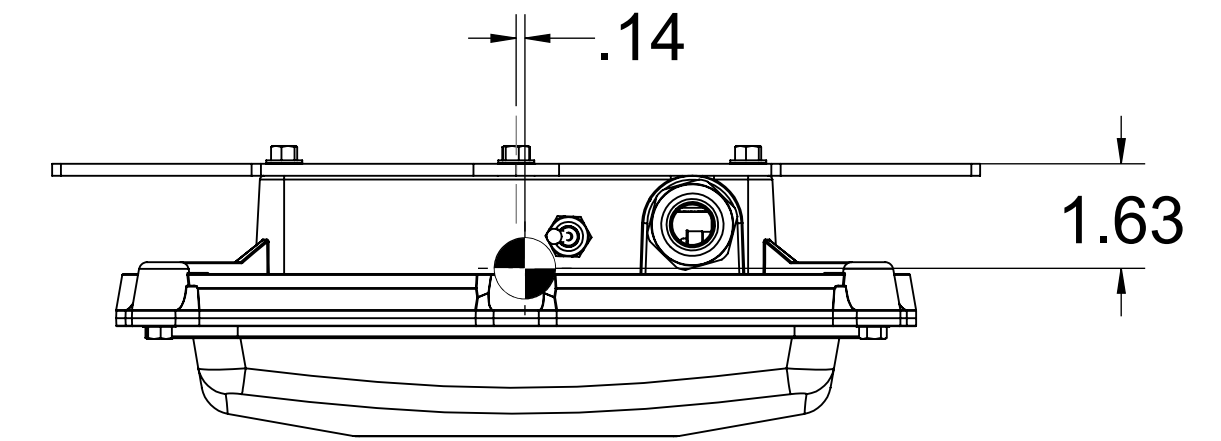
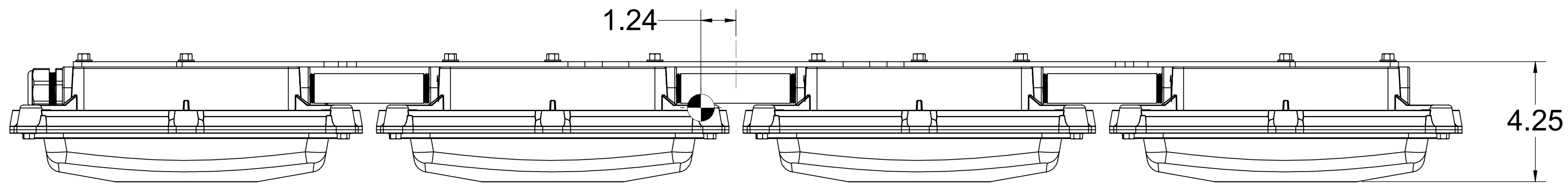
**FIXTURE WEIGHT (W/OUT CABLE) = 34 lbs**  
**115VAC, 60Hz, INPUT**  
**120 WATT WHITE LIGHT OUTPUT (WHITE ONLY)**  
**30W (RED MODE)**  
**30W (CYAN MODE)**  
**NON-EMERGENCY BACKUP TYPE**

LLS MODEL NUMBER	DESCRIPTION	NSN
LLS360-MILX12-8-40-FD	LIGHT, SSL120W,120VAC, STANDARD MOUNT, NON-EMERGENCY, WHITE	6210-01-685-1888
LLS360-MILX12-8-40-FD-RW	LIGHT, SSL120W,120VAC, STANDARD MOUNT, NON-EMERGENCY, WHITE/RED	
LLS360-MILX12-8-40-FD-CW	LIGHT, SSL120W,120VAC, STANDARD MOUNT, NON-EMERGENCY, WHITE/CYAN	

UNLESS OTHERWISE SPECIFIED:  
 DIMENSIONS ARE IN INCHES  
 TOLERANCES:  
 ANGULAR ± .1 DEG  
 TWO PLACE DECIMAL ±0.01  
 THREE PLACE DECIMAL ±0.005

PROPRIETARY AND CONFIDENTIAL THE INFORMATION CONTAINED IN THIS DRAWING IS THE SOLE PROPERTY OF [INSERT COMPANY NAME HERE]. ANY REPRODUCTION IN PART OR AS A WHOLE WITHOUT THE WRITTEN PERMISSION OF [INSERT COMPANY NAME HERE] IS PROHIBITED.	MATERIAL: DIECAST ALUMINUM FINISH: POWDERCOAT DO NOT SCALE DRAWING	CHECKED: DARRELL P. ENG APPR: DARRELL P. MFG APPR: DARRELL P. Q.A.:	NAME: DARRELL P. DATE: 2/18/25	LLS360, GEN2, STANDARD MOUNT, NON-EMERGENCY SCALE: 1:3 CAGE CODE: 6Q972 SHEET 1 OF 2
--	--	--	-----------------------------------	---

REVISIONS				
ZONE	REV.	DESCRIPTION	DATE	APPROVED
ALL	A	GENERATION 2 INITIAL RELEASE	2/18/25	2/18/25



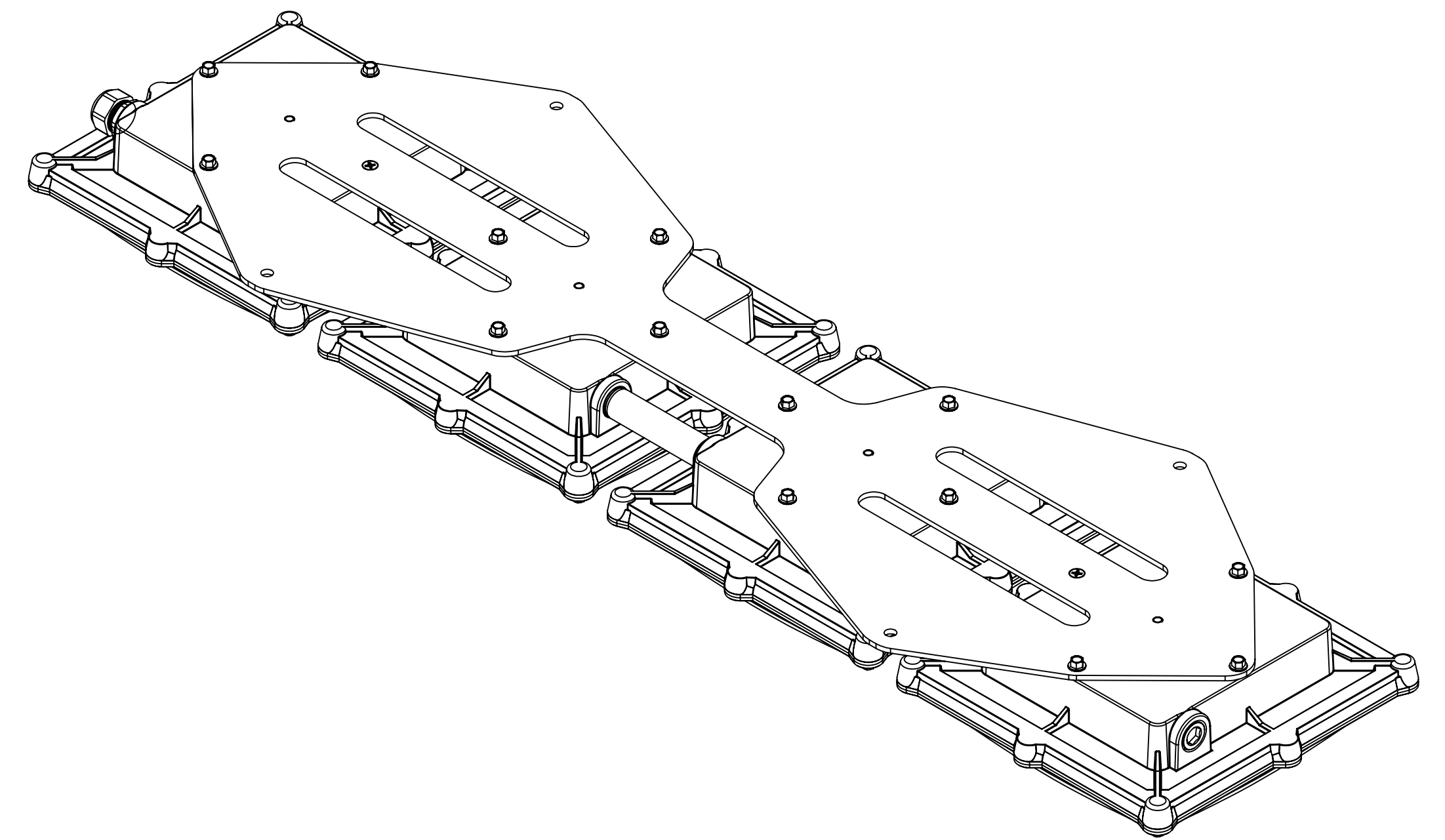
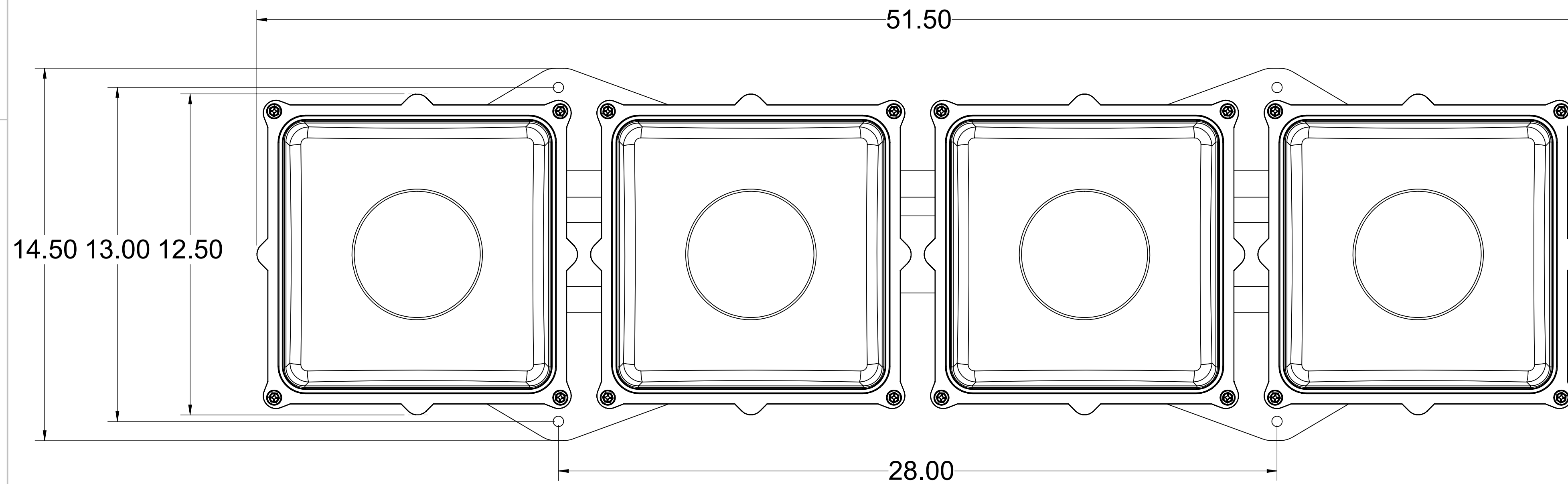
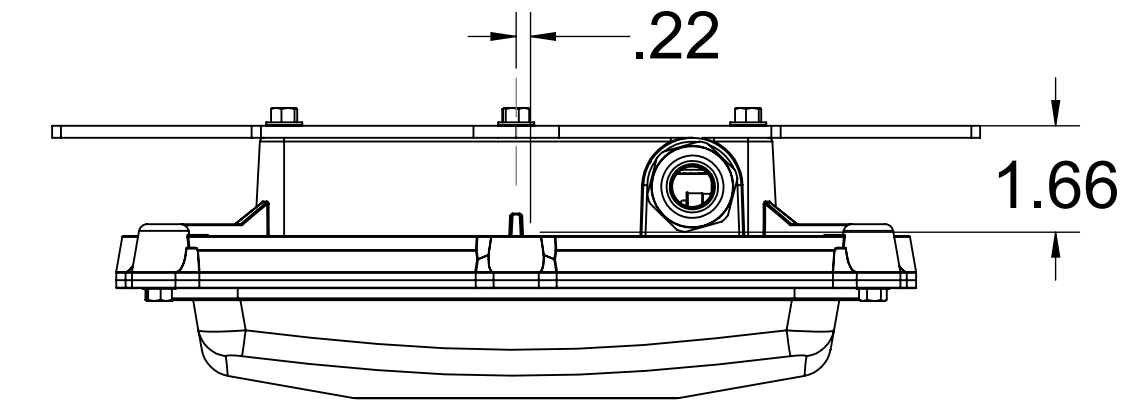
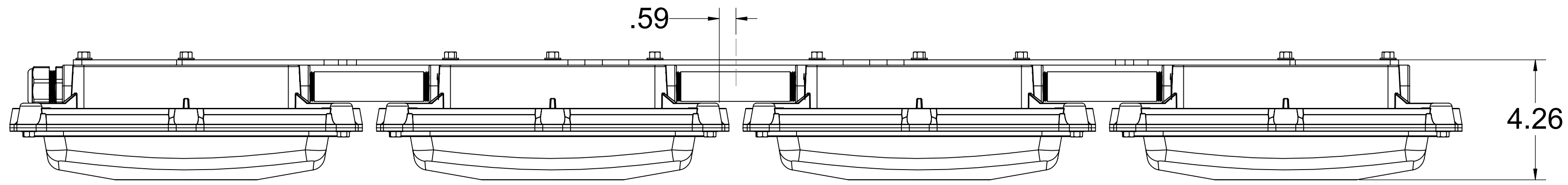
**FIXTURE WEIGHT (W/OUT CABLE) = 32 lbs**  
**115VAC, 60Hz, INPUT**  
**120 WATT WHITE LIGHT OUTPUT (WHITE ONLY)**  
**30W (RED MODE)**  
**30W (CYAN MODE)**  
**EMERGENCY BACKUP TYPE**

LLS MODEL NUMBER	DESCRIPTION	NSN
LLS360-MILX12-8-40-SD-EM	LIGHT, SSL120W,120VAC, STANDARD MOUNT, EMERGENCY, WHITE	6210-01-685-1888
LLS360-MILX12-8-40-SD-EMRW	LIGHT, SSL120W,120VAC, STANDARD MOUNT, EMERGENCY, WHITE/RED	
LLS360-MILX12-8-40-SD-EMCW	LIGHT, SSL120W,120VAC, STANDARD MOUNT, EMERGENCY, WHITE/CYAN	

UNLESS OTHERWISE SPECIFIED:  
 DIMENSIONS ARE IN INCHES  
 TOLERANCES:  
 ANGULAR ± 1 DEG  
 TWO PLACE DECIMAL ±0.01  
 THREE PLACE DECIMAL ±0.005

PROPRIETARY AND CONFIDENTIAL THE INFORMATION CONTAINED IN THIS DRAWING IS THE SOLE PROPERTY OF [INSERT COMPANY NAME HERE]. ANY REPRODUCTION IN PART OR AS A WHOLE WITHOUT THE WRITTEN PERMISSION OF [INSERT COMPANY NAME HERE] IS PROHIBITED.	MATERIAL: DIECAST ALUMINUM FINISH: POWDERCOAT DO NOT SCALE DRAWING	CHECKED: DARRELL P. ENG APPR: DARRELL P. MFG APPR: DARRELL P. Q.A.:	NAME: DARRELL P. DATE: 2/18/25	LLS360, GEN2, STANDARD MOUNT, EMERGENCY D LLS360-MILX12-8-40-SD-EMXX A SCALE: 1:3 CAGE CODE: 6Q972 SHEET 1 OF 2
--	--	--	-----------------------------------	---

REVISIONS				
ZONE	REV.	DESCRIPTION	DATE	APPROVED
ALL	A	GENERATION 2 INITIAL RELEASE	2/18/25	2/18/25



**FIXTURE WEIGHT (W/OUT CABLE) = 28 lbs**  
**115VAC, 60Hz, INPUT**  
**120 WATT WHITE LIGHT OUTPUT (WHITE ONLY)**  
**30W (RED MODE)**  
**30W (CYAN MODE)**  
**NON-EMERGENCY BACKUP TYPE**

LLS MODEL NUMBER	DESCRIPTION	NSN
LLS360-MILX12-8-40-SD	LIGHT, SSL120W,120VAC, STANDARD MOUNT, WHITE	6210-01-685-1888
LLS360-MILX12-8-40-SD-RW	LIGHT, SSL120W,120VAC, STANDARD MOUNT, WHITE/RED	
LLS360-MILX12-8-40-SD-CW	LIGHT, SSL120W,120VAC, STANDARD MOUNT, WHITE/CYAN	

UNLESS OTHERWISE SPECIFIED:  
 DIMENSIONS ARE IN INCHES  
 TOLERANCES:  
 ANGULAR ± .1 DEG  
 TWO PLACE DECIMAL ±0.01  
 THREE PLACE DECIMAL ±0.005

PROPRIETARY AND CONFIDENTIAL  
 THE INFORMATION CONTAINED IN THIS  
 DRAWING IS THE SOLE PROPERTY OF  
 © INSERT COMPANY NAME HERE. ANY  
 REPRODUCTION IN PART OR AS A WHOLE  
 WITHOUT THE WRITTEN PERMISSION OF  
 © INSERT COMPANY NAME HERE IS  
 PROHIBITED.

MATERIAL	DIECAST ALUMINUM	CHECKED	DARRELL P.	NAME	DARRELL P.	DATE	2/18/25
FINISH	POWDERCOAT	ENG APPR.	DARRELL P.	SIZE	D	DWG. NO.	LLS360-GEN2, STANDARD MOUNT, NON-EMERGENCY
DO NOT SCALE DRAWING	G.A.	MFG APPR.	DARRELL P.	REV	A	SCALE: 1:3	CAGE CODE: 6Q972 SHEET 1 OF 2