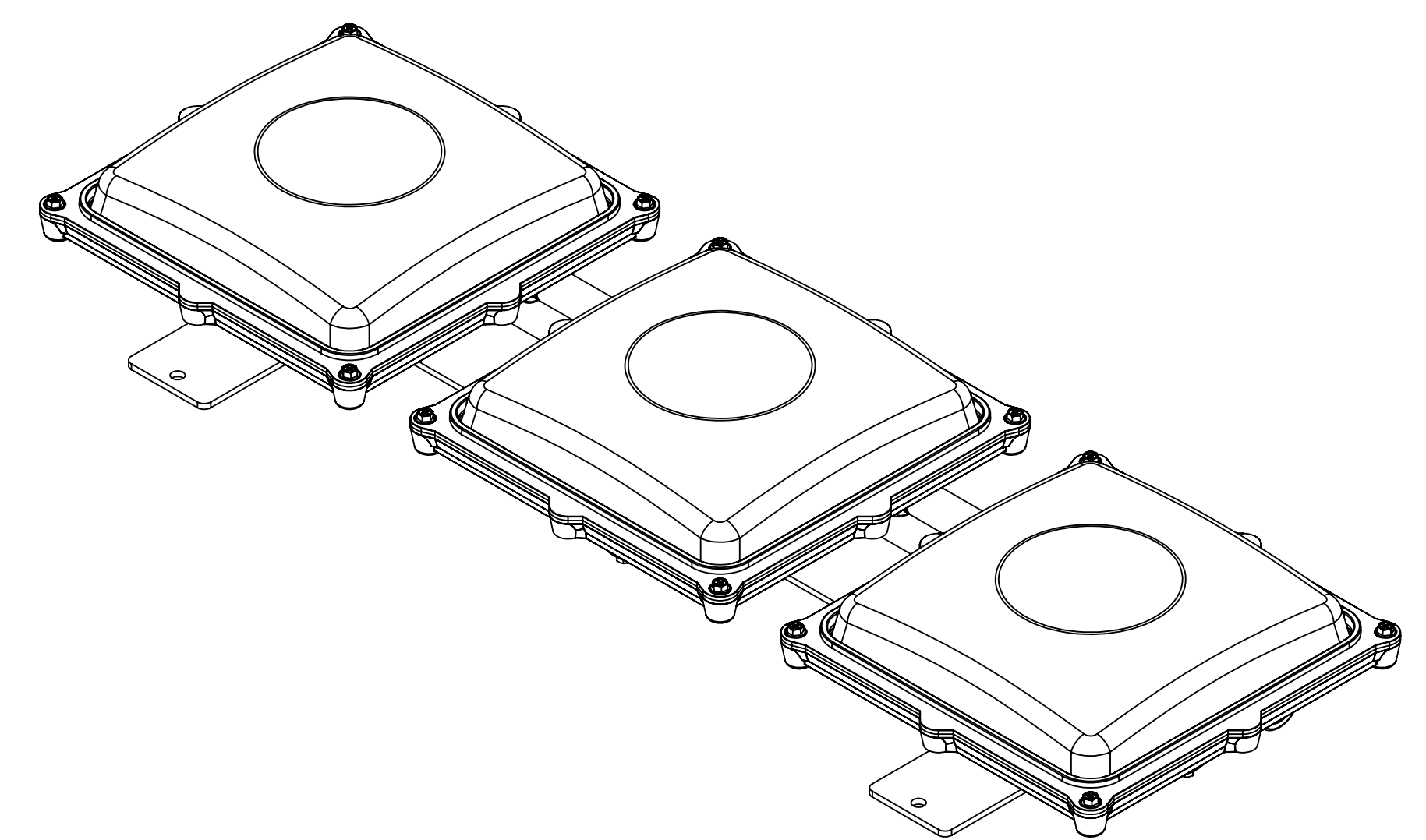
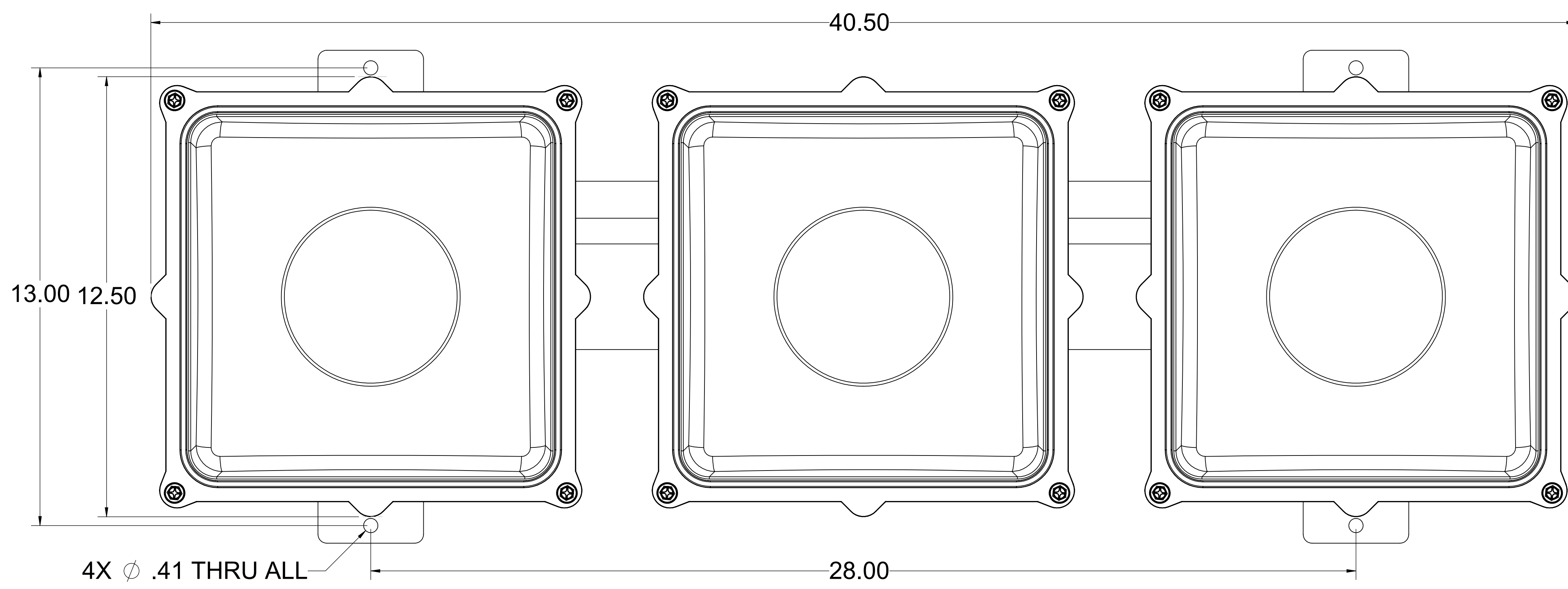
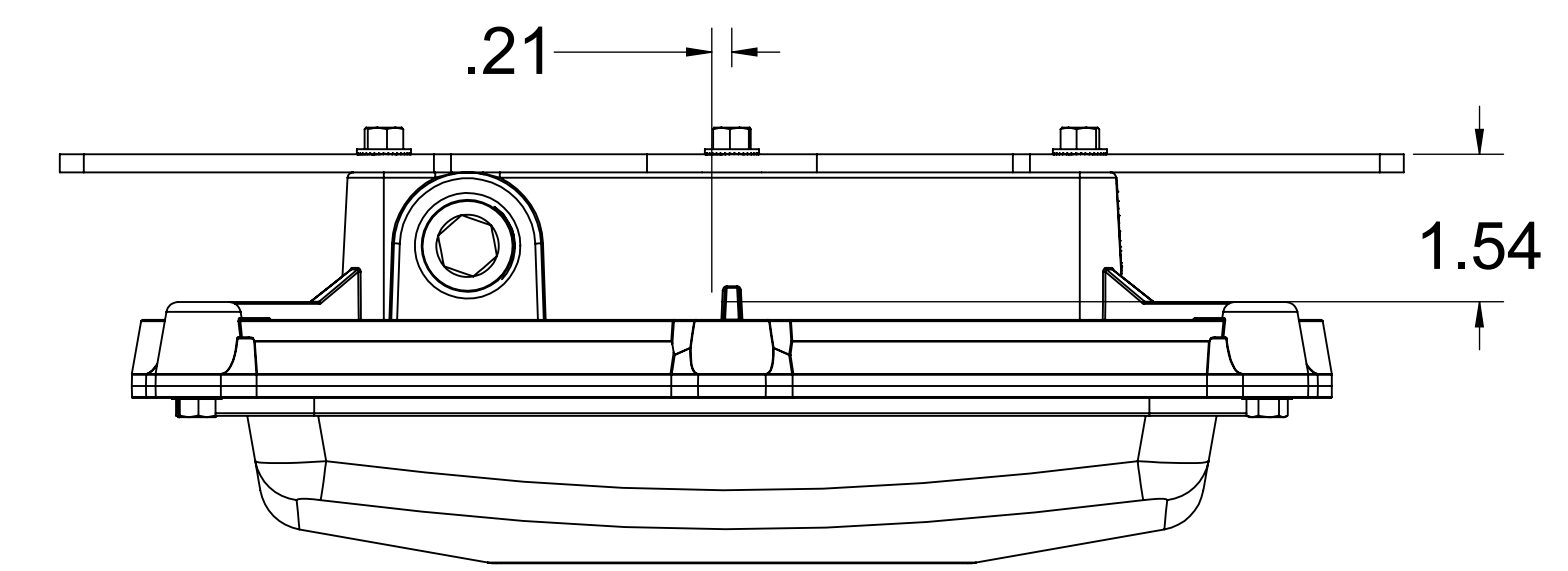
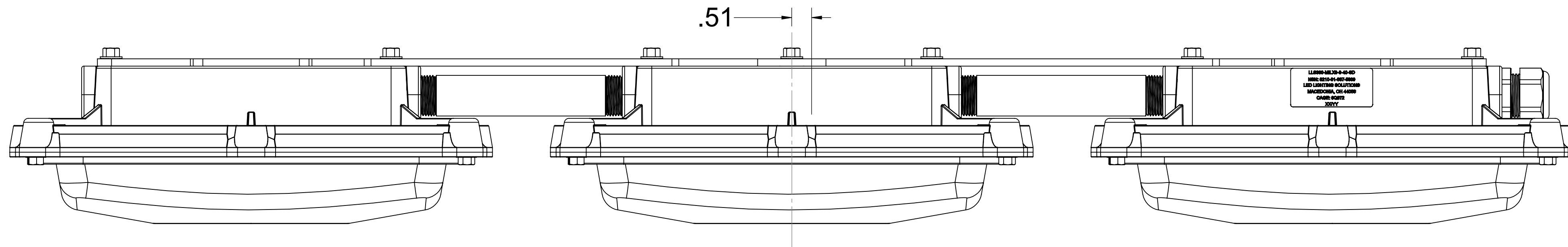


REVISIONS				
ZONE	REV.	DESCRIPTION	DATE	APPROVED
ALL	A	GENERATION 2 INITIAL RELEASE	2/7/25	2/7/25



**FIXTURE WEIGHT (W/OUT CABLE) = 22 lbs 3oz**  
**115VAC, 60Hz, INPUT**  
**90 WATT, WHITE LIGHT OUTPUT**  
**20 WATT (RED MODE)**  
**20 WATT (CYAN MODE)**  
**NON-EMERGENCY BACKUP TYPE**

LLS MODEL NUMBER	DESCRIPTION	NSN
LLS360-MILX9-8-40-SD	LIGHT, SSL90W,120VAC, STANDARD MOUNT, NON-EMERGENCY, WHITE	6210-01-687-5809
LLS360-MILX9-8-40-SD-RW	LIGHT, SSL90W,120VAC, STANDARD MOUNT, NON-EMERGENCY, WHITE/RED	
LLS360-MILX9-8-40-SD-CW	LIGHT, SSL90W,120VAC, STANDARD MOUNT, NON-EMERGENCY, WHITE/CYAN	

UNLESS OTHERWISE SPECIFIED:  
 DIMENSIONS ARE IN INCHES  
 TOLERANCES:  
 ANGULAR ± .05 DEG  
 TWO PLACE DECIMAL ±0.01  
 THREE PLACE DECIMAL ±0.005

PROPRIETARY AND CONFIDENTIAL	MATERIAL	N/A	CHECKED	DARRELL P.	DATE	2/7/25
THE INFORMATION CONTAINED IN THIS DRAWING IS THE SOLE PROPERTY OF LLS. REPRODUCTION IN PART OR AS A WHOLE WITHOUT THE WRITTEN PERMISSION OF LLS IS PROHIBITED.	FINISH	N/A	ENG APPR.	DARRELL P.	NAME	DARRELL P.
			MFG APPR.	DARRELL P.		
			DO NOT SCALE DRAWING	G.A.		

LLS360, GEN 2, STANDARD MOUNT, NON-EMERGENCY  
 SCALE: 1:2 CAGE CODE: 6Q972 SHEET 1 OF 2

