



SSL-855 Mirror Fixture

Product Features

- Power: 115VAC 50/60Hz
- 20 Watts
- 4100K
- 21" and 24" Available
- Single or Dual Receptacle
- DSPT Switch Available
- Diffusing Acrylic Lens (Polycarbonate Available)
- 10' 7XW3-Cable
- **Body:** Polyester powder-coated after phosphate pretreatment for superior adhesion and corrosion resistance
- **Door:** One piece, die-formed cold rolled steel door with 14 gauge lens retainers and a full length welded pin piano hinge
- Integral single, three-pole, two-wire (third pole ground) receptacle.
- MIL-DTL16377 Compliant



Ordering Part Number

SSL-855-

120

| |
|------------|
| 21 |
| 21" Length |
| 24 |
| 24" Length |

| |
|---------------|
| 1 |
| Single Recpt. |
| 2 |
| Dual Recpt. |

| |
|-----------|
| 3 |
| No Switch |
| 4 |
| Switch |

| |
|--------------------|
| 0 |
| No Cable |
| 10 |
| 10' LSTHOF-3 Cable |

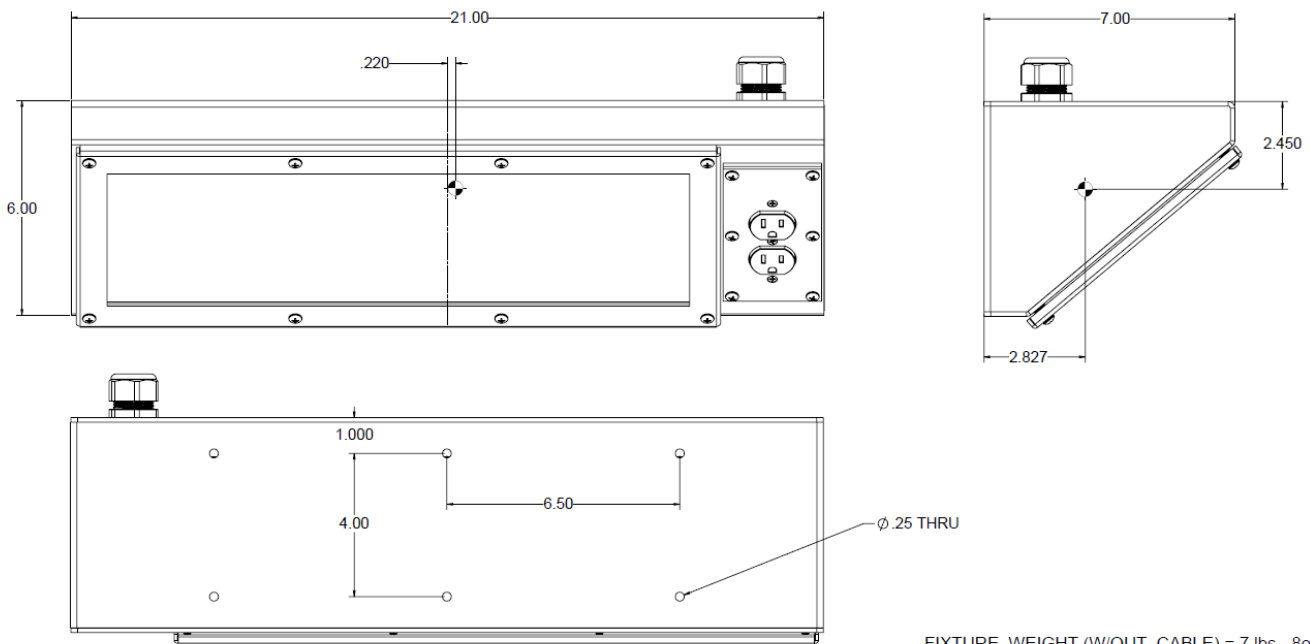
- Switch is not provided with dual receptacle option.
- When ordering a single receptacle unit, switch will be installed.
- SSL-855 Mirror Light meets MIL-DTL-16377/58 Specifications.

Configuration Example

Part No. SSL-855-21-1-4-120-10

Description LED Mirror Light, 4100k, 21", Single Receptacle, DPST Switch, 10' LSTHOF-3 Cable

Dimensions



FIXTURE WEIGHT (W/OUT CABLE) = 7 lbs - 8oz
 115VAC, 60Hz, INPUT
 20WATT, WHITE LIGHT OUTPUT

24" Vanity comes with same mounting dimensions as 21" shown above