

LED LIGHTING SOLUTIONS GLOBAL

Solid State Naval Lighting Systems LED Lighting Solutions



ABOUT US

LED Lighting Solutions Global (LLSG) is a US based design and manufacturing company of **Solid State Lighting Systems** for Naval Combatant applications.

Since
2010

50,000+
Products in Service

20+
Navies Supported

ISO 9001

IP67

MIL-STD-461

MIL-STD-810

Our team has designed and implemented our LED Lighting solutions on over 20 naval combatant

CORE CAPABILITIES

-  Innovative Design
-  Specialized Warfare Lighting Systems
-  Meeting MIL-DTL 16377 Standards
-  Low Voltage LED Products
-  LED Lighting Fixtures
-  Lighting Control Systems
-  EMI/RFI Hardened
-  Retrofits & Upgrades

KEY PRODUCTS



LED Flood & Deck Lights



LED Navigation Lights



LED Interior Lighting







LED Retrofit Solutions



Lighting Control Systems

Our team has designed and implemented our LED Lighting solutions on over 20 naval combatant vessels.

-  **Combat Proven:** Proven track record with leading naval forces worldwide
-  **Robust & Reliable:** Military-grade superior durability and performance.
-  **Electromagnetic Protection:** EMI/RFI shielded for mission-critical environments.
-  **Custom Solutions:** Tailored LED lighting for specific naval requirements.
-  **Worldwide Support:** Global support and rapid delivery to meet operational needs



LED Lighting Solutions Global

Low Voltage Product Catalog 2026

2.0 Low Voltage Shipboard Lighting Products

[Click on Section Below](#)

- 2.1 LLS360 Overhead General Lighting
- 2.2 UL844 Hazardous Overhead Lighting
- 2.3 2' Overhead General Lighting
- 2.4 Globe – White, Red, NVIS, Amber
- 2.5 High Bay Overhead and Hangar Lighting
- 2.6 Vanity and Mirror Lighting
- 2.7 High Powered Flood Lighting
- 2.8 Step Lighting
- 2.9 Waterline Security Flood Lighting
- 2.10 Desk and Office Lighting
- 2.11 Bunk and Berth Lighting
- 2.12 Exit Lighting



LLS360 Low Voltage

Product Features

- Power: 20-30VDC
- 0-10V Dimming
- UL 1598
- UL 1598A
- UL8750
- UL 844 Class 1, Division 2 (A,B,C & D)
- ABS
- MIL-16377 Compliant
- IP66/67
- Emergency Battery Backup (4-6 Hour)
- 5lbs (w/o Cable)
- A360 Die-Cast Aluminum Body
- Marine Grade Powder Coating
- Polycarbonate Lens
- Stainless Steel Hardware
- 3/4" Input Port
- Flush or Standard Configurations





LLS360 HAZLOC Low Voltage

Product Features

- Power: 20-30VDC
- 0-10V Dimming
- UL1598
- UL 598A
- UL8750
- UL 44 Class 1, Division 2 (A,B,C&D)
- ABS
- IP66/67
- T4A or Better
- 4000K, Red, NVD, Amber
- Emergency Battery Backup (90 Min)
- 25-55 Watts
- 8lbs
- A360 Die-Cast Aluminum Body
- Polycarbonate Lens
- Stainless Steel Hardware
- 3/4" Input Port
- Adjustable Yolk and Fixed Mounts



Yolk Mount

Ordering Part Number

LLS360-HAZVDC

25 25 Watts	40 4000K	VM Vessel Mount	MD Medium Lens	EM Emergency
35 35 Watts	50 5000K	YM Yolk Mount	FL Flat Lens	CB 10' 3-Wire Cable
38 38 Watts	RD Red			DM 0-10V Dimming
47 47 Watts	AM Amber			
55 55 Watts	NVD Night Vision			

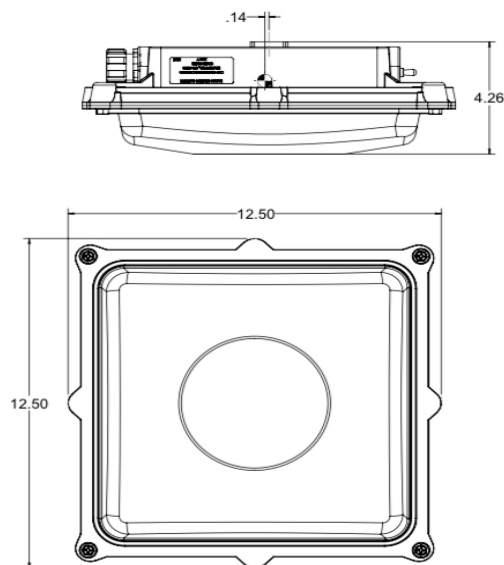
Configuration Example

Part No. LLS360-HAZVDC-47-50-YM-MD

Description : LED HAZLOC, 20-30VDC, 47 Watts, 5000K, Yolk Mount, Medium Lens

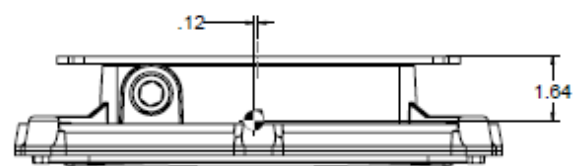
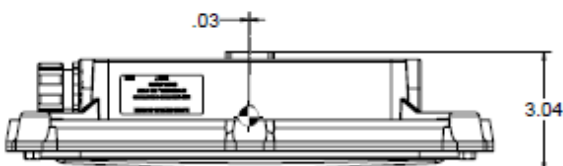
Leave blank when not choosing EM or CB option

Dimensions



Medium Lens

Flat Lens



Ordering Part Number

LLS360

40

MILX124
Sym. 331.1/24VDC
MILX224
Sym. 77.4/24VDC
MILX324
Sym. 333.1/24VDC
MILX424
4,100 Lm/24VDC
MILX524
5,100 Lm/24VDC
MILX624
6,100 Lm/24VDC

8
Medium Lens
F
Flat Lens

SD
Standard Mount
FD
Flush Mount

0
No Cable
LST10
10' LSTHOF-3 Cable
LST15
15' LSTHOF-3 Cable
LSH10
10' LSFHOF-3 Cable
LSF10
15' LSFHOF-10'
7XW3
EM Cable

EM
Emergency
EM4
1000lm/4 Hour EM
EM6
6 Hour EM
EM6R
6 Hour EM Red
RE
Remote EM
*CW/GW
NVD Cyan (NV) White
RR
Red/Red
RW
Red/White
RW10
Red/White -10W Red
RW40
Red/White -40W Red

S
Switch
SS
Switched

AO
All one Bracket
TL
Task Lighting
C1D2
HAZLOC
DA
Dampa
DM
0-10V Dimming

*CW and GW are Interchangeable

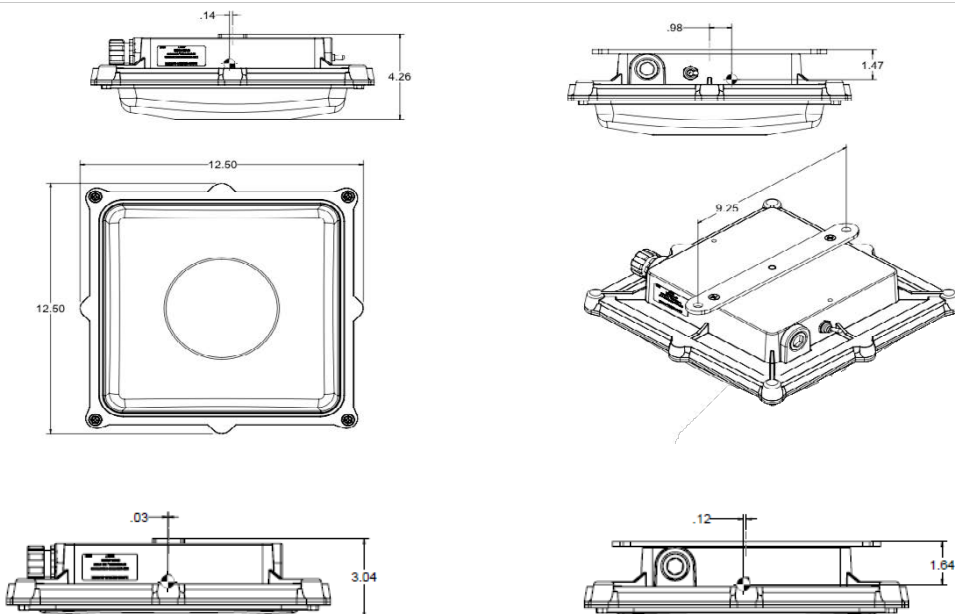
Configuration Example

Part No. LLS360-MILX324-8-40-SD-LST15-S-DM

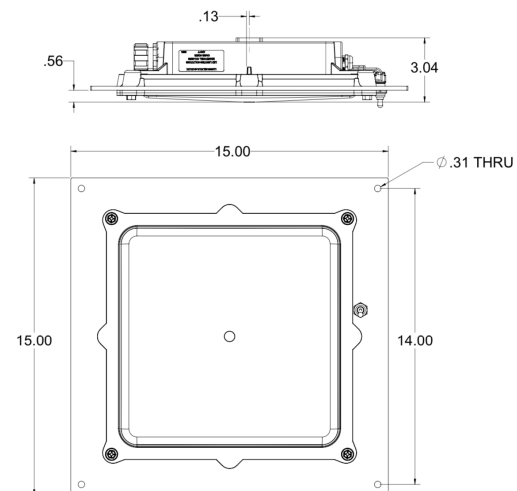
Description : LLS360, MILX3, 24VDC, Medium Lens, 4100K, Standard Mount, 15' LSTHOF-3 Cable, Switch, 0-10V Dimming

Any options not chosen can be left blank when building part number

Standard/Medium Lens



Flush/Flat Lens





LED LIGHTING SOLUTIONS

Precision Lighting for Naval Defense Platforms



SSL-M24 Single Low Voltage

Symbol 331.1 & 331.2, Equivalent

Features

- Power: 20-30VDC (Single Array)
- Dual Shock Mounts
- Light weight, Under 7lbs
- Stainless Steel Fasteners
- Color Options: White, Red & NVD CYAN (NV)
- Battery Backup - 5 Hours
- Die Cast Aluminum Construction
- LSTHOF-3 and LSFHOF-3 Cable Available
- 7XW-3 EM Cable
- White Diffusing Lens
- Marine Grade White Powder Coating Finish
- MIL-DTL16377 Compliant



Ordering Part Number

SSL-M241VDC

331.1	S	WH	S	0
331.2	Standard Mount	White	DPST Switch	No Cable
331.1EM	F	BL	SS	LST10
331.2EM	Flush Mount	Blue	Two DPST Switches	10' LSTHOF-3 Cable
**347.2		RD		LST15
**347.3		Red		15' LSTHOF-3 Cable
		NV		LSH10
		Night Vision		10' LSFHOF-3 Cable
				LSF10
				10' LSFHOF-10'
				7XW3
				EM Cable
				DM
				0-10V Dimming

*EM units will be provided with 7XW-3 Cable.

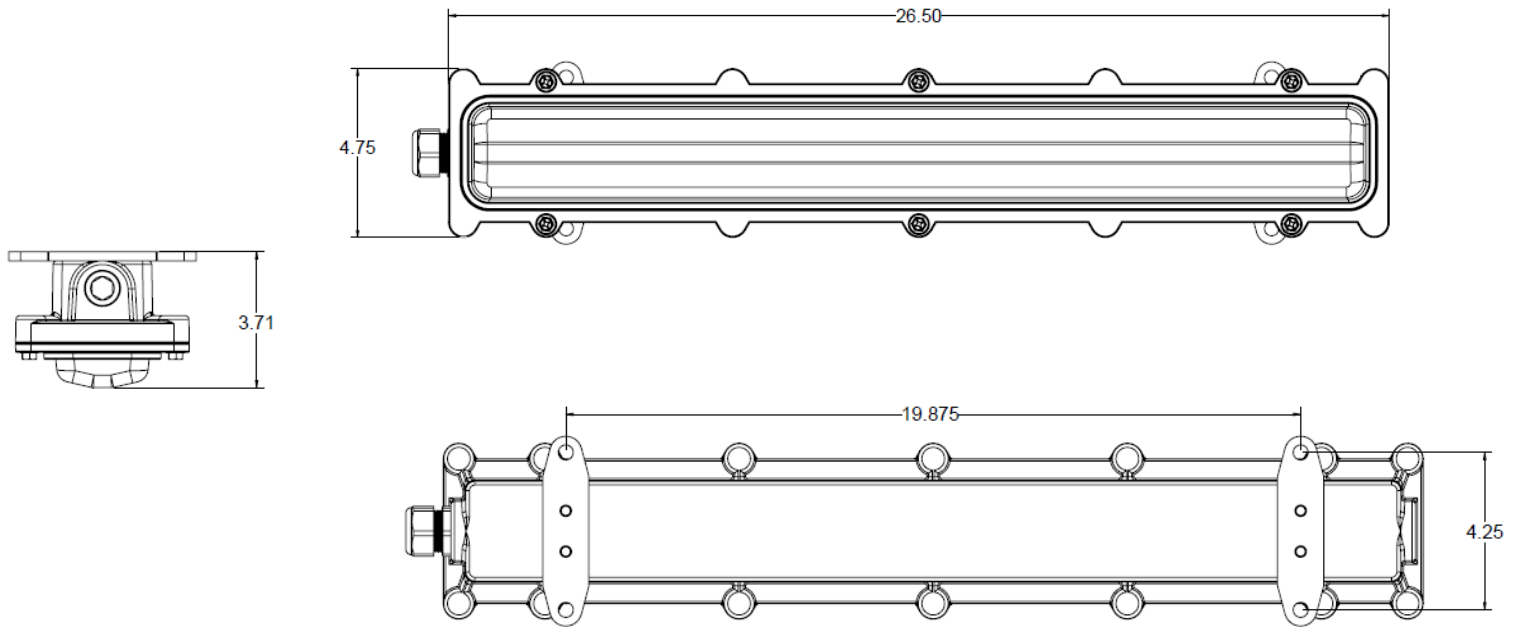
**Symbols 347.2 and 347.3 refer to prismatic lens fixtures, which are no longer necessary due to LED technology. Orders placed for either symbol will be shipped with our diffused lens

Configuration Example

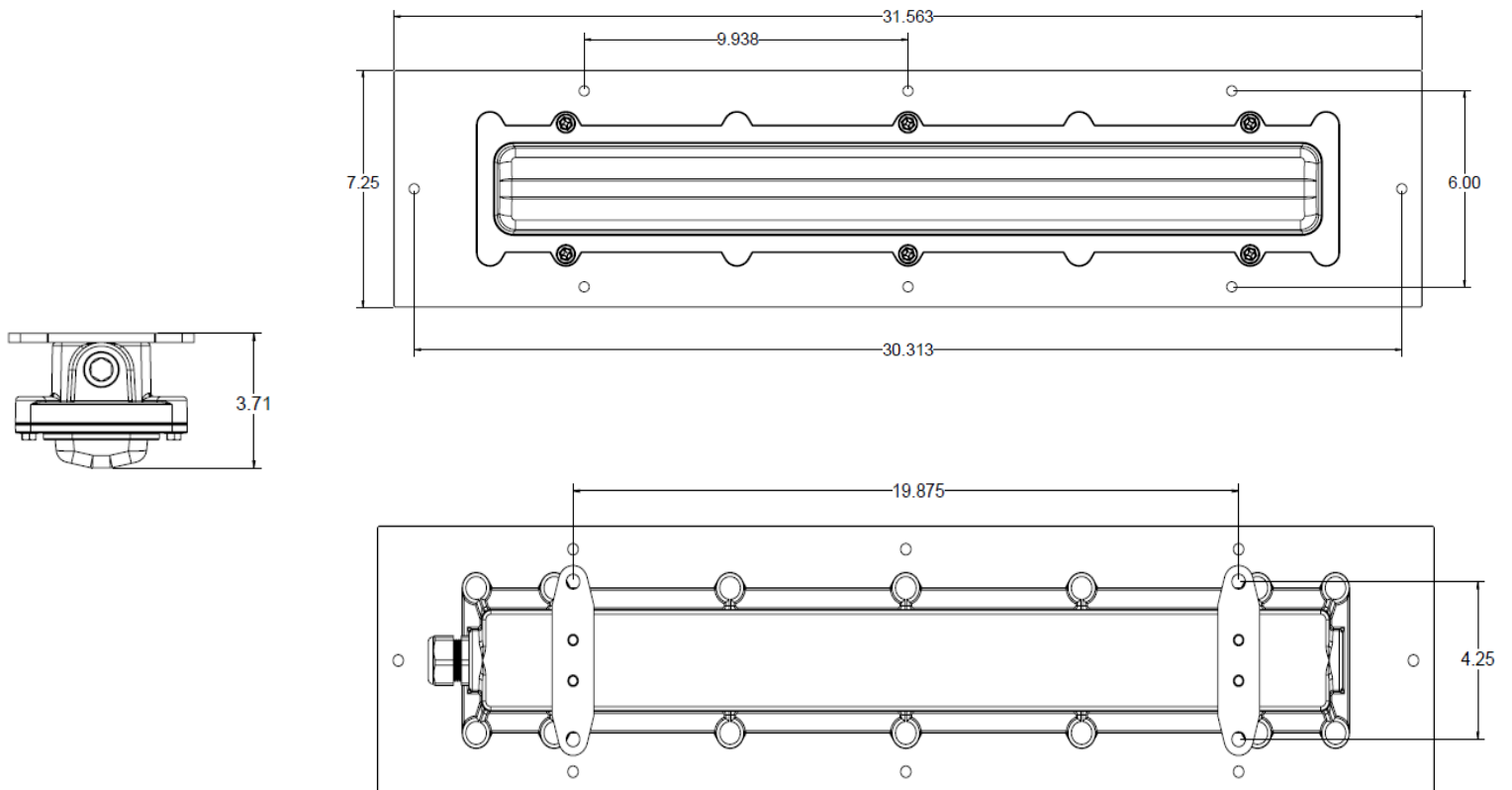
Part No. SSL-M241VDC-331.1-S-WH-S-LST10

Description LED 2', Single, 24VDC, 331.1, Standard Mount, White (4100K), DPST Switch, 10' LSTHOF-3 Cable

Symbol 331.1/347.2 Standard Mount



Symbol 331.2/347.3 Standard Mount





LED LIGHTING SOLUTIONS

Precision Lighting for Naval Defense Platforms



SSL-M24 Double Low Voltage

Symbol 77.4, 344.2, 344.3, 77.5 Equivalent

Features

- Power: 20-30VDC (Double Array)
- Dual Shock Mounts
- Light weight, Under 8lbs
- Stainless Steel Fasteners
- Color Options: White, Red & NVD CYAN (NV)
- Battery Backup - 5 Hours
- Die Cast Aluminum Construction
- LSTHOF-3 and LSFHOF-3 Cable Available
- 7XW-3 EM Cable
- White Diffusing Lens
- Marine Grade White Powder Coating Finish
- MIL-DTL16377 Compliant



Ordering Part Number

SSL-M242VDC

77.4
77.5
*77.4EM
*77.5EM
**344.2
**344.3

S
Standard Mount
F
Flush Mount

WH
White
BL
Blue
RD
Red
NV
Night Vision

S
DPST Switch
SS
Two DPST Switches

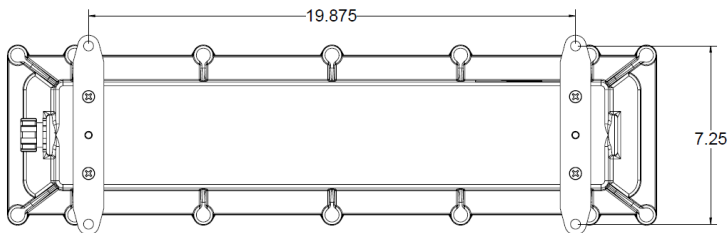
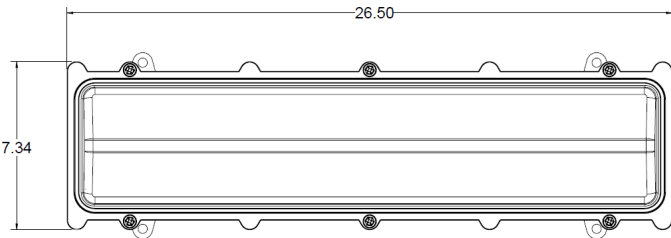
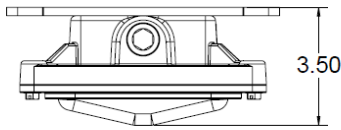
0
No Cable
LST10
10' LSTHOF-3 Cable
LST15
15' LSTHOF-3 Cable
LSF10
10' LSFHOF-3 Cable
LSF15
15' LSFHOF-3 Cable
7XW3
EM Cable
DM
0-10V Dimming

*EM units will be provided with 7XW-3 Cable.

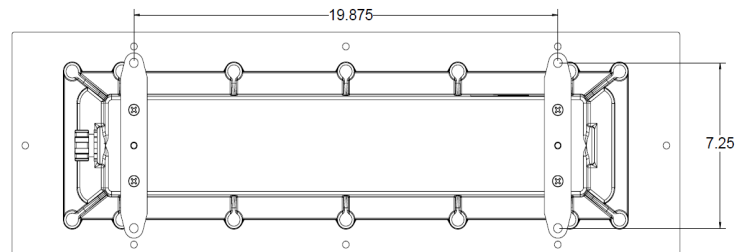
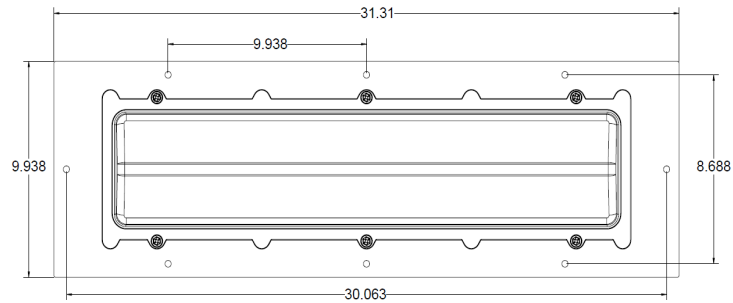
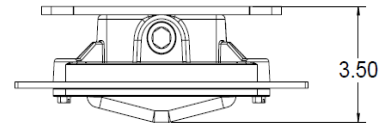
**Symbols 344.2 and 344.3 refer to prismatic lens fixtures, which are no longer necessary due to LED technology. Orders placed for either symbol will be shipped with our diffused lens

Part No. SSL-M242VDC-77.4-S-WH-S-LST10
Description LED 2', Double, 24VDC, 77.4, Standard Mount, White (4100K), DPST Switch, 10' LSTHOF-3 Cable

Symbol 77.4/344.2



Symbol 77.5/344.3





LED LIGHTING SOLUTIONS

Precision Lighting for Naval Defense Platforms



SSL-M24 Triple Low Voltage

Symbol Equivalent 333.1, 333.2, 342.2 & 342.3

Features

- Power: 20-30VDC (Triple Array)
- Dual Shock Mounts
- Light weight, Under 8lbs
- Stainless Steel Fasteners
- Color Options: White, Red & NVD CYAN (NV)
- Battery Backup - 5 Hours
- Die Cast Aluminum Construction
- LSTHOF-3 and LSFHOF-3 Cable Available
- 7XW-3 EM Cable
- White Diffusing Lens
- Marine Grade White Powder Coating Finish
- MIL-DTL16377 Compliant



Ordering Part Number

SSL-M243VDC

333.1	S	WH	S	0
333.2	Standard Mount	White	DPST Switch	No Cable
*333.1EM	F	BL	SS	LST10
*333.2EM	Flush Mount	Blue	Two DPST Switches	10' LSTHOF-3 Cable
**342.2		RD		LST15
**342.3		Red		15' LSTHOF-3 Cable
		NV		LSH10
		Night Vision		10' LSFHOF-3 Cable
				LSF10
				10' LSFHOF-10'
				7XW3
				EM Cable
				DM
				0-10V Dimming

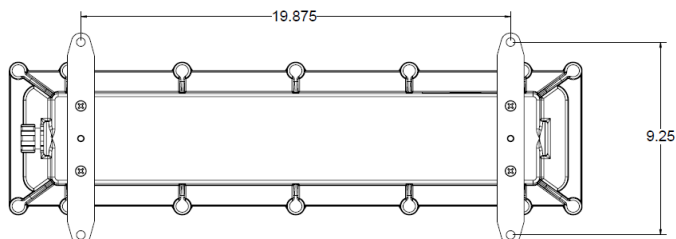
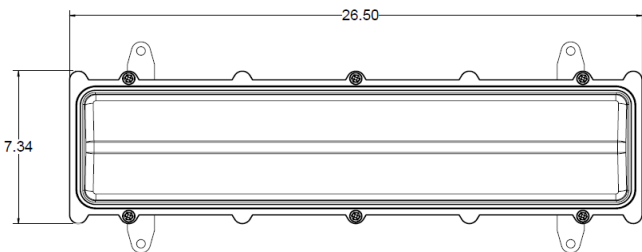
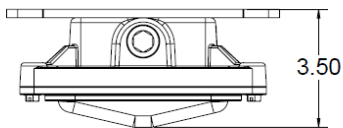
*EM units will be provided with 7XW-3 Cable.

**Symbols 342.2 and 342.3 refer to prismatic lens fixtures, which are no longer necessary due to LED technology. Orders placed for either symbol will be shipped with our diffused lens

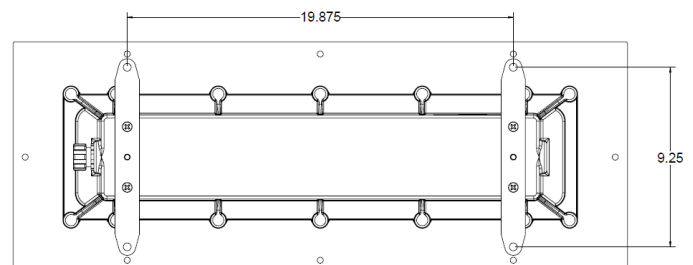
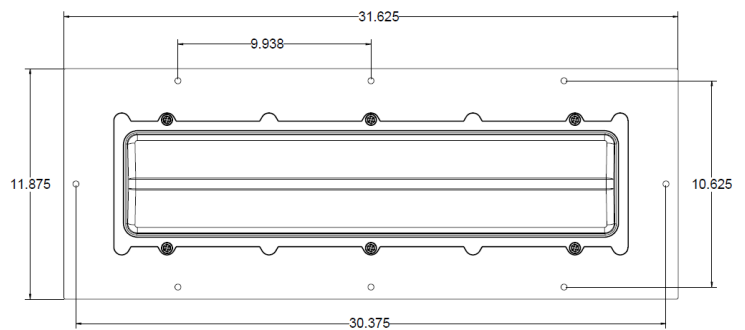
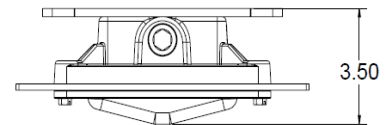
Part No. SSL-M243VDC-333.1-S-WH-S-LST10

Description LED 2', Triple, 24VDC, 333.1, Standard Mount, White (4100K), DPST Switch, 10' LSTHOF-3 Cable

Symbol 333.1/342.2



Symbol 333.2/342.3





SSL-560 Globe Low Voltage

Product Features

- Power: 20-30VDC
- 0-10v Dimming
- 5-25 Watts
- White, Blue, Amber and Red
- 100,000 Hours
- Under 5 lbs (Cord not included)
- High Impact Heat-Resistant Tempered Glass
- Die Cast Aluminum Body, SS Hardware
- 3-10' Military Grade Cord Available
- Powder Coated, Anti-Corrosion
- 4 Hole Aluminum Bracket (Legacy Hole Patterns)
- MIL-DTL16377 Compliant



Ordering Part Number

SSL-560VDC

92.2
SM White Globe
93.2
SM Red Globe
93.4
SM Blue Globe
93.5
SM Amber Globe
112
LG White Globe
113
LG Red Globe
113.1
LG Yellow Globe

0
No Cable
3
3' LSTHOF-3 Cable
6
6' LSTHOF-3 Cable
10
10' LSTHOF-3 Cable
DM
0-10V Dimming

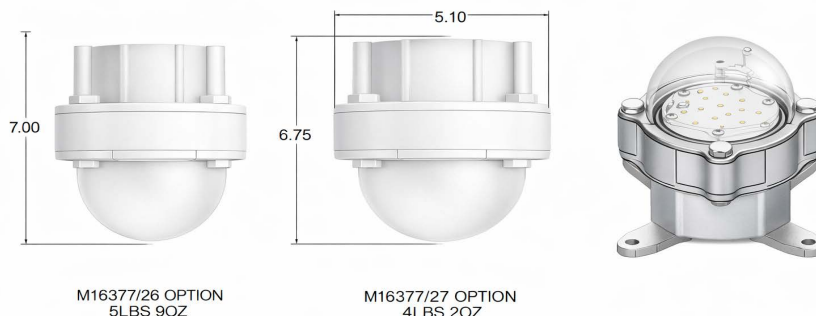
Configuration Example

Part No. SSL-560VDC-92.2-3

Description LED Globe, 24VDC, 4100K (White), 3' LSTHOF-3 Cable

- Colored LED's operate at 5 Watts
- White LED's operate at 25 Watts
- Large Globe comes with Bracket, see diagram below
- Small Globe does not come with Bracket or Hardware.

Dimensions





MILX9 High Bay Low Voltage M16377/13 - Symbol 74 Equivalent

Product Features

- Power: 20-30VDC
- 0-10V Dimming
- 90 Watts (4100K)
- 20 Watts (Colored)
- White, Red, NVD Options
- 26 lbs
- 100,000 Life Hours
- Die-Cast Aluminum Body
- Polycarbonate Lens
- Stainless Steel Hardware
- Three Shock Mounts
- 3/4" Cord Grip
- Input Port within each head
- MIL-DTL-16377 Compliant
- ABS



Ordering Part Number

LLS360-MILX9VDC

40- SD-

8
Medium Lens
F
Flat Lens

EM
Emergency
EMRW
Emergency Red
EMCW
Emergency Cyan

0
No Cable
LST10
10' LSTHOF-3 Cable
LST15
15' LSTHOF-3 Cable
LSH10
10' LSFHOF-3 Cable
LSF10
15' LSFHOF-10'
7XW3
EM Cable
DM
0-10V Dimming

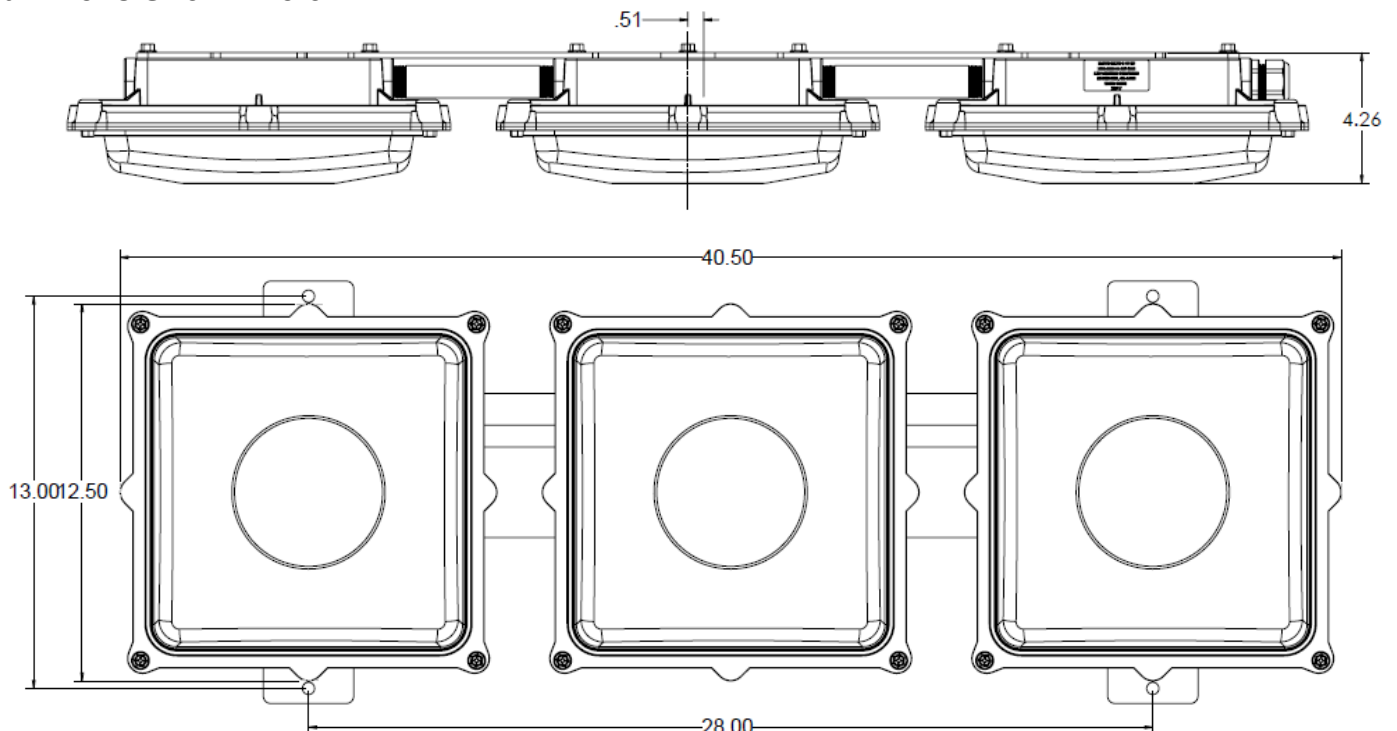
*EM units will be provided with 7XW-3 Cable.

Configuration Example

Part No. LLS360-MILX9VDC-8-40-SD

Description : LED MILX9, 20-30VDC, Medium Lens, 4100K, Standard Mount, Non-EM, No Cable

Medium Lens Shown Below





LED LIGHTING SOLUTIONS

Precision Lighting for Naval Defense Platforms



MILX12 High Bay Low Voltage M16377/85 - Symbol 76 Equivalent

Product Features

- Power: 20-30VDC
- 0-10V Dimming
- 120 Watts (4100K)
- 20 Watts (Colored)
- White, Red, NVD Options
- 38 lbs
- 100,000 Life Hours
- Die-Cast Aluminum Body
- Polycarbonate Lens
- Stainless Steel Hardware
- Three Shock Mounts
- 3/4" Cord Grip
- Input Port within each head
- MIL-DTL-16377 Compliant
- ABS



©LEDLIGHTINGSOLUTIONS DIRECT.Info@1LLS.com OFFICE.855.309.1702 FAX.941.296.7313
WWW.LEDLIGHTINGSOLUTIONS.COM

All rights reserved. LED Lighting Solutions reserves the right to change specifications for product improvement without prior notice

Ordering Part Number

LLS360-MILX12VDC

40

8
Medium Lens
F
Flat Lens

SD
Standard Mount
FD
Flush Mount

EM
Emergency
EMRW
Emergency Red
EMCW
Emergency Cyan

0
No Cable
LST10
10' LSTHOF-3 Cable
LST15
15' LSTHOF-3 Cable
LSH10
10' LSFHOF-3 Cable
LSF10
15' LSFHOF-10'
7XW3
EM Cable
DM
0-10V Dimming

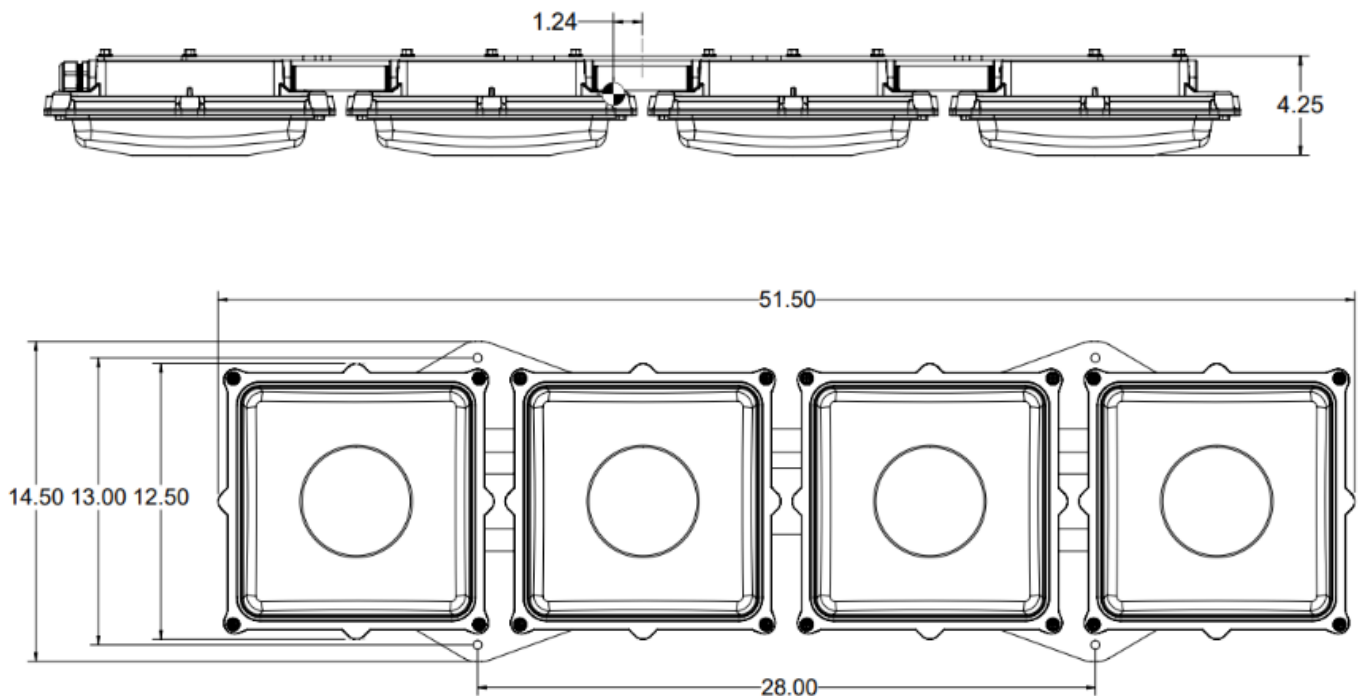
*EM units will be provided with 7XW-3 Cable.

Configuration Example

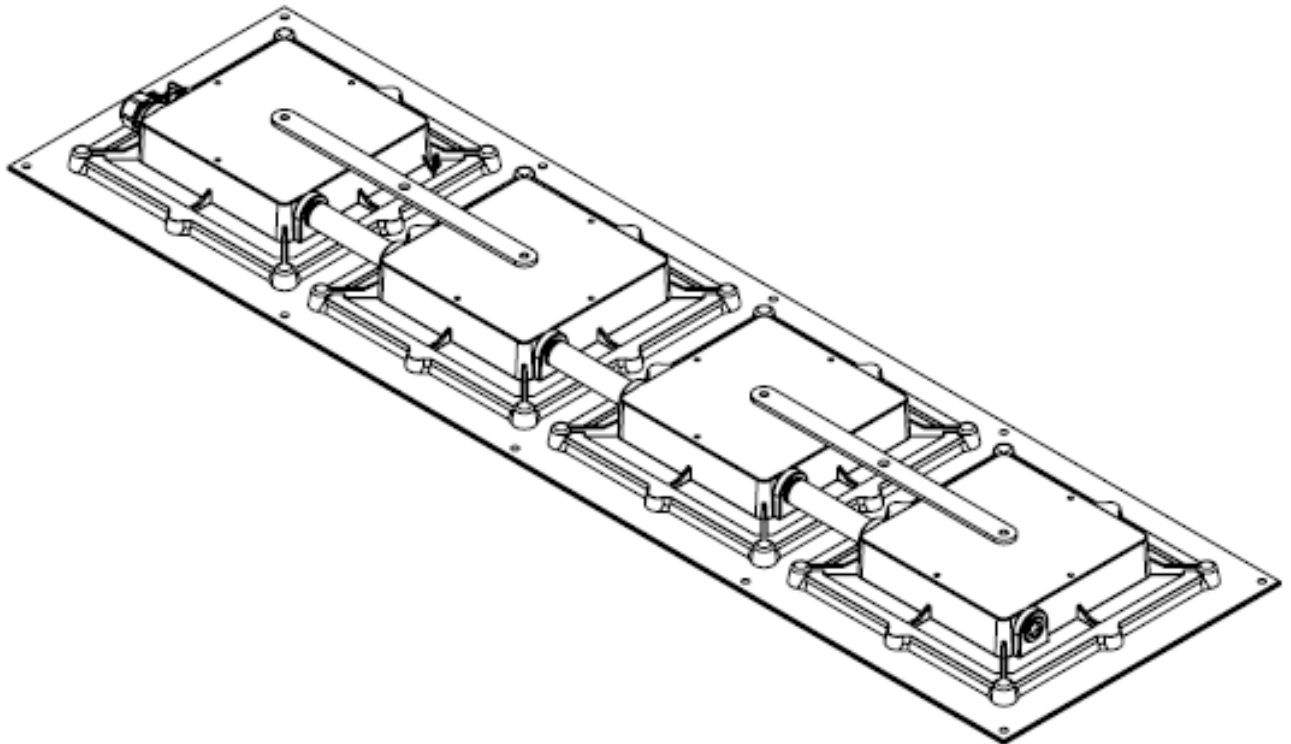
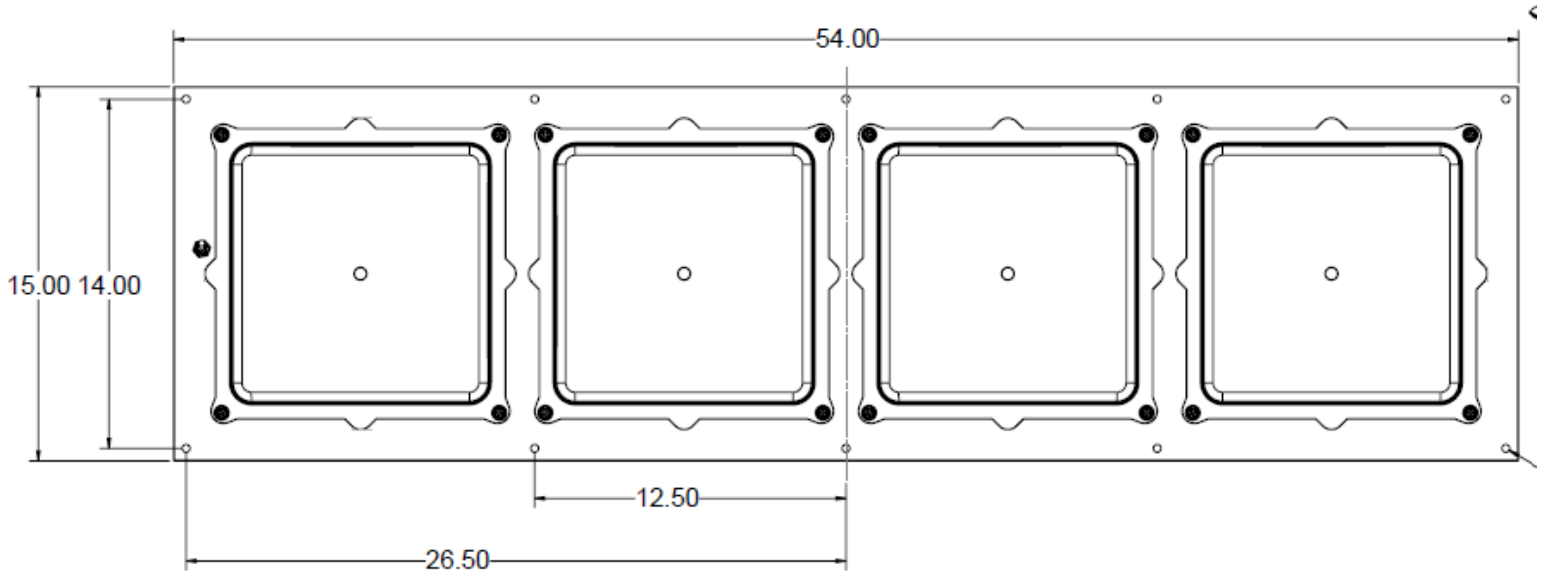
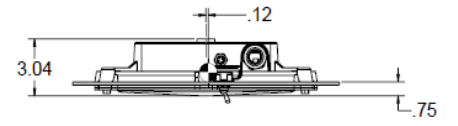
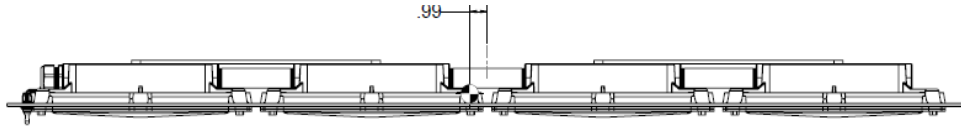
Part No. LLS360-MILX12VDC-8-40-SD

Description : LED MILX12, 20-30VDC, Medium Lens, 4100K, Standard Mount, Non-EM, No Cable

Medium Lens Shown Below



Flat Lens Shown Below

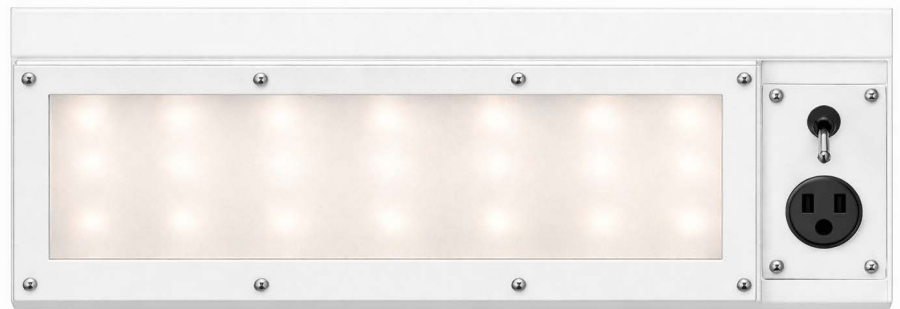




SSL-855 Mirror Fixture Low Voltage

Product Features

- Power: 20-30VDC
- 0-10V Dimming
- 20 Watts
- 4100K
- 21" and 24" Available
- Single or Dual Receptacle
- DSPT Switch Available
- Diffusing Acrylic Lens (Polycarbonate Available)
- 10' 7XW3-Cable
- **Body:** Polyester powder-coated after phosphate pretreatment for superior adhesion and corrosion resistance
- **Door:** One piece, die-formed cold rolled steel door with
- 14 gauge lens retainers and a full length welded pin piano hinge
- Integral single, three-pole, two-wire (third pole ground) receptacle.
- MIL-DTL16377 Compliant



Ordering Part Number

SSL-855VDC

21
21" Length
24
24" Length

1
Single Recpt.
2
Dual Recpt.

3
No Switch
4
Switch

120

0
No Cable
10
10' LSTHOF-3 Cable
DM
0-10V Dimming

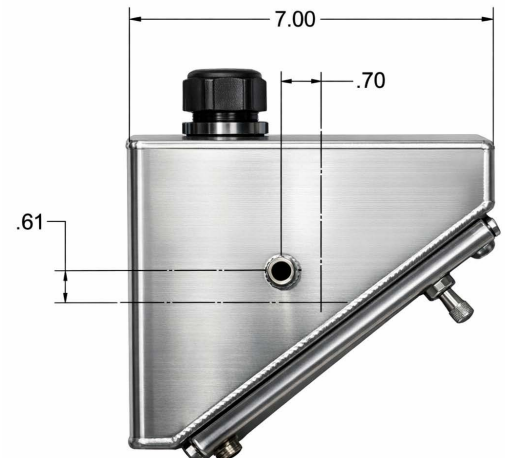
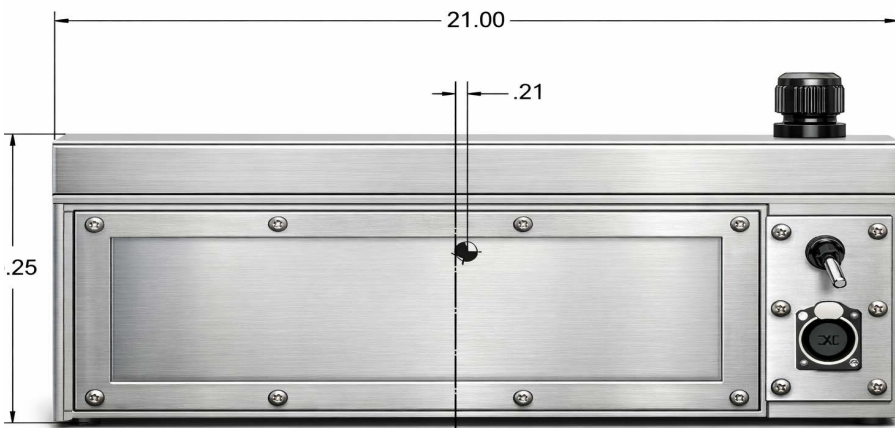
- Switch is not provided with dual receptacle option.
- When ordering a single receptacle unit, switch will be installed.
- SSL-855 Mirror Light meets MIL-DTL-16377/58 Specifications.

Configuration Example

Part No. SSL-855VDC-21-1-4-120-10

Description LED Mirror Light, 20-30VDC, 21", Single Receptacle, DPST Switch, 10' LSTHOF-3 Cable

Dimensions



24" Dimensions Not Shown



SSL-220 HP Flood Low Voltage

Product Features

- Power: 120/250VDC (10K Surge Protector)
- 81, 124, 175, 234, 346 484 Watts
- IP66/67
- UL1598/A, UL844 Class 1, Div 2 (A,B,C,D)
- Temp -40C - +65C
- 5000K (Amber Color Optional)
- 150,000 Hours (L70)
- 28lbs (Single Head) - 50lbs (Dual Head)
- A360 Die Cast Aluminum Construction
- Dimmable Driver (0-10V)
- 10K Surge Protection
- 2 3/4" Input Cable Entry
- Beam Pattern: NEMA 4, 6, 7x6, Asymmetric, Asymmetric Wide
- ABS
- MIL-DTL-16377 Compliant



Ordering Part Number

SSL-220VDC

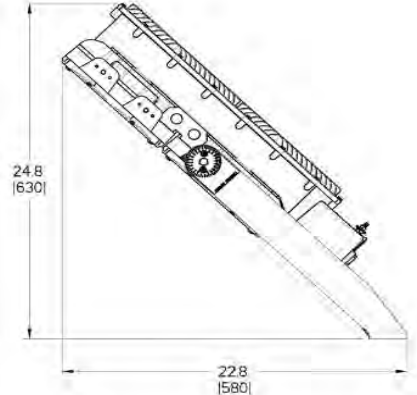
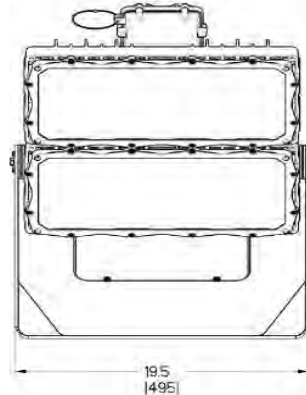
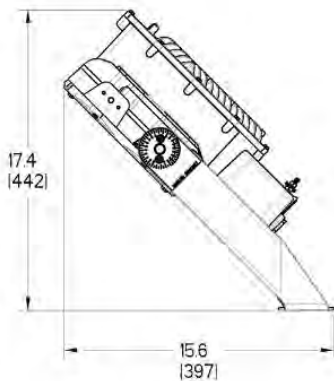
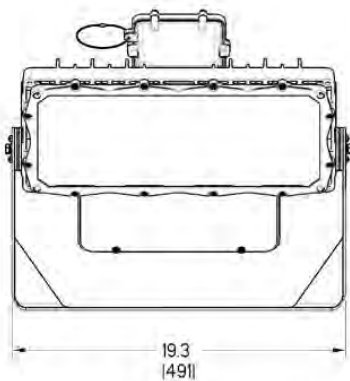
81	50	4	YMS	ND	NV
13,200 Lumens	5000K	60 Deg. Med	Yolk Mount Straight	Non-Dimming	No Visor
124	40	6	YMA	DM	VS
19,100 Lumens	40000K	120 Deg. Wide	Yolk Mount Angle	Dimming Driver	Visor
175	27	7	SF		
25,000 Lumens	2700K	130 Deg. Very Wide	Slipfitter 1-1/4 - 2 3/8 OD		
234					
31,600 Lumens					
346					
51,000 Lumens					
484					
65,000 Lumens					

Configuration Example

Part No. SSL-220VDC-124-50-4-YMS-ND-VS

Description LED High Powered Flood, 120/250VDC, 124 Watts, 5000K, 60 Deg. Beam, Yolk Mount Straight, Non-Dimming, Visor

Dimensions



Dimensions in inches [mm]

Dimensions in inches [mm]



SSL-723 Step Light Low Voltage

Product Features

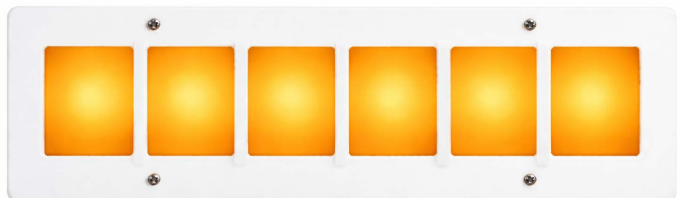
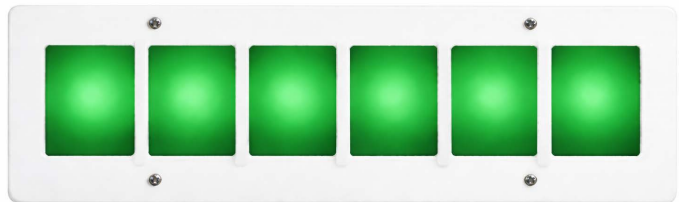
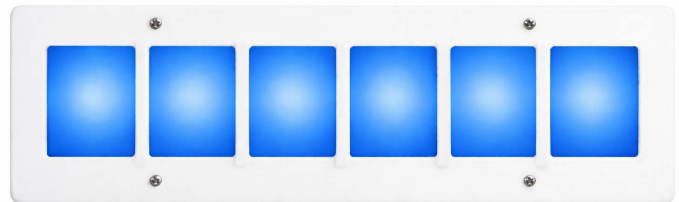
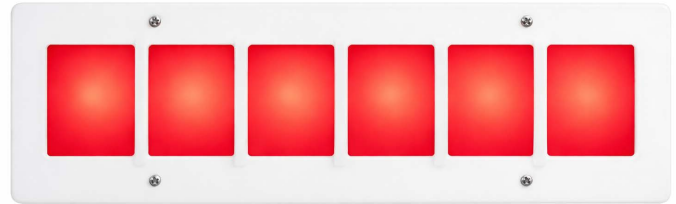
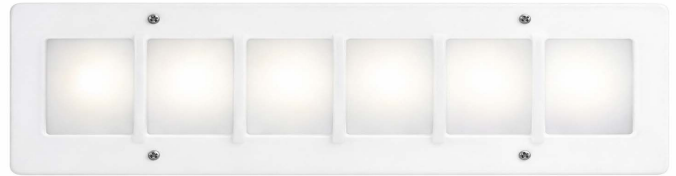
- Power: 20-30VDC
- 0-10V Dimming
- 5 Watts
- 4100K, Red, Blue, Green or Amber
- 6 lbs
- Marine Grade White Powder Coating
- Military Number:

M16377/59-001 (White Diffused)

M16377/59-002 (Red)

M16377/59-003 (Blue)

- 10' 7XW3-Cable (Optional)
- .Lens Guard
- Stainless Steel Hardware
- MIL-DTL16377 Compliant



Ordering Part Number

SSL-723VDC 5 40

DF
White
RD
RED
BL
Blue/Cyan
GR
Blue/Cyan
AM
Amber

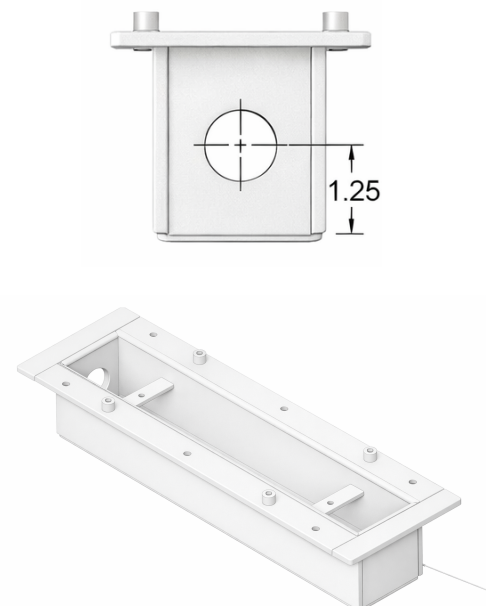
0
No Cable
10
10' LSTHOF-3 Cable
DM
0-10V Dimming

Configuration Example

Part No. SSL-723VDC-5-40-BL-10

Description LED Step Light, 20-30VDC, Watts, Blue/Cyan, 10' LSTHOF-3 Cable

Dimensions





SSL-600 Waterline Security Low Voltage

Product Features

- Power: 20-30VDC
- 50 Watts
- 4000K
- 100,000 Hours
- 8.5lbs
- White, Red, NVD (Night Vision)
- Die Cast Aluminum Construction, SS Hardware
- 10' Military Grade Cord and Plug
- Anti Corrosion (WF2)/Impact Resistance
- Navy Gray Powder Coated
- Yolk Mount with 2" Pipe Mount
- MIL-DTL16377 Compliant



Ordering Configuration

SSL-600VDC

NB
Narrow Beam
MB
Medium Beam
WB
Wide Beam

WT
4100K
RD
Red
BL
Blue
NVD
Night Vision

0
No Cable/Plug
3
3' LSTHOF-3 Cable/Plug
6
6' LSTHOF-3 Cable/Plug
10
10' LSTHOF-3 Cable/Plug
DM
0-10V Dimming

All Fixtures Come Standard with Mounting Bracket and 2" Pipe, Hood and Cable

Configuration Example

Part No. SSL-600VDC-MB-WT-3

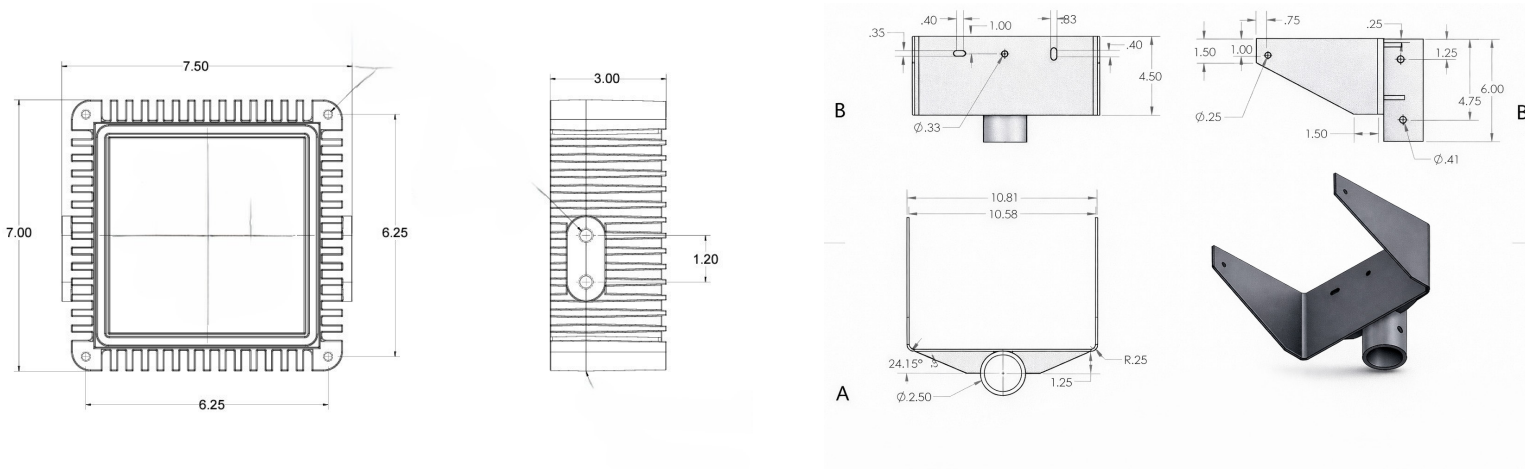
Description LED Waterline Flood, 20-30VDC, Medium Beam, 3'

Cable and Plug



Fixture Hood

Dimensions





SSL-950 Desk Light Low Voltage

Product Features

- Power: 20-30VDC
- 0-10V Dimming
- 10 Watts
- 5lbs
- 4000K (White) Standard
- Red, Cyan/Blue, or Amber (Optional)
- Wall Mount, Double Adjustable Arm
- DPST ON/OFF Switch
- 10' Cable Provided, Meets Slant 16 Cable Specification
- Military Grade Powder Coat
- Directional Beam Angle, No Glare
- MIL-DTL-16377/16 Equivalent
- MIL-DTL-16377 Compliant



Ordering Part Number

SL-950VDC

1
Bulkhead
2
Pedestal

3
4100K
4
Red
5
Blue

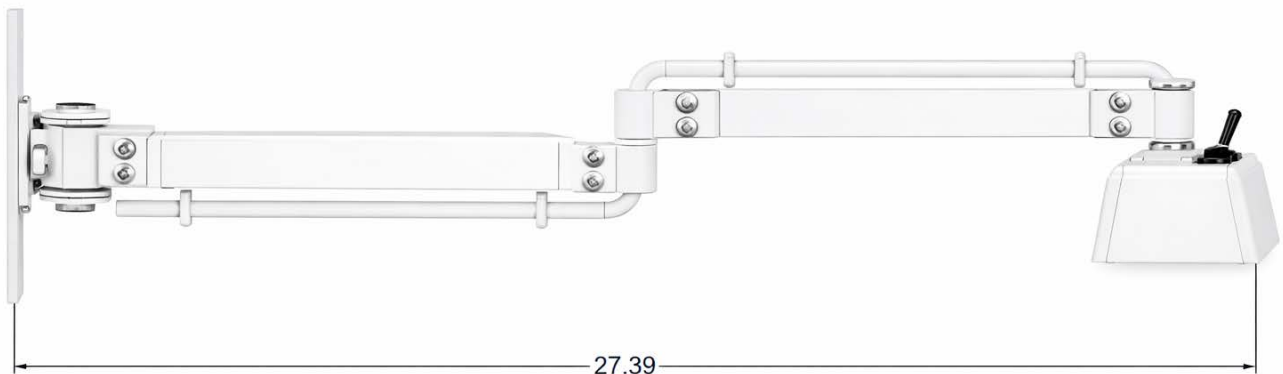
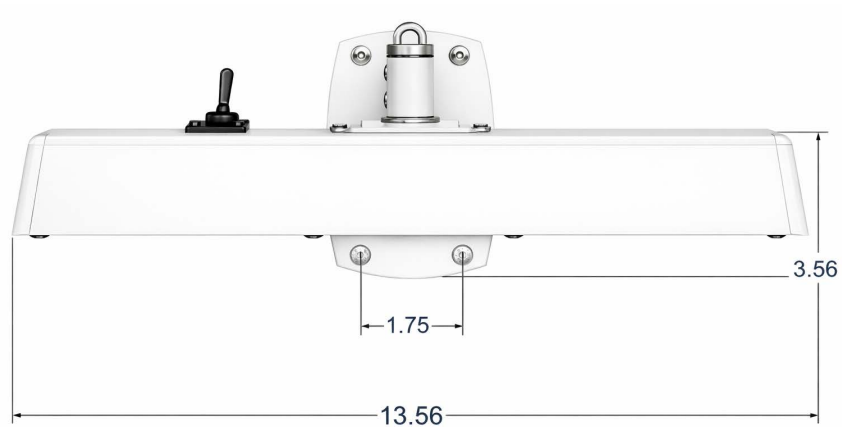
DM
0-10V Dimming

Configuration Example

Part No. SL-950VDC-1-3-DM

Description : LED Desk Light, 20-30VDC, Bulkhead, 4100K, 0-10V Dimming

Dimensions





SSL-825 Bunk/Berth Low Voltage

Product Features

- Power: 20-30VDC
- 0-10V Dimming
- 3.5 Watts
- 4100K
- 100,000 Hours
- 3.5lbs (Not Including Cord)
- Die Cast Aluminum Construction, SS Hardware
- 7XW3 or TXW3 Cable Optional
- DPST Toggle Switch
- 120 Volt or USB Receptacle
- MIL-DTL16377 Compliant



Ordering Part Number

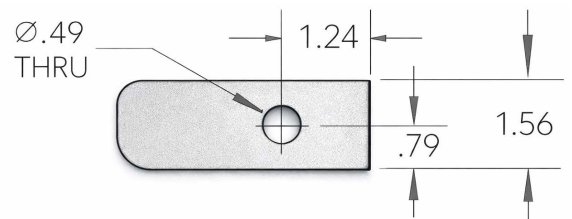
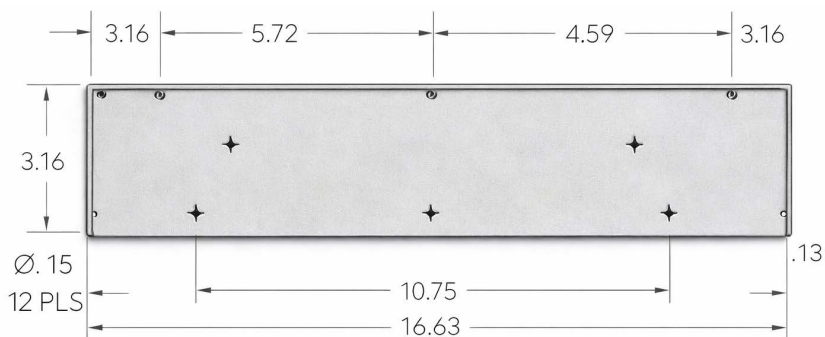
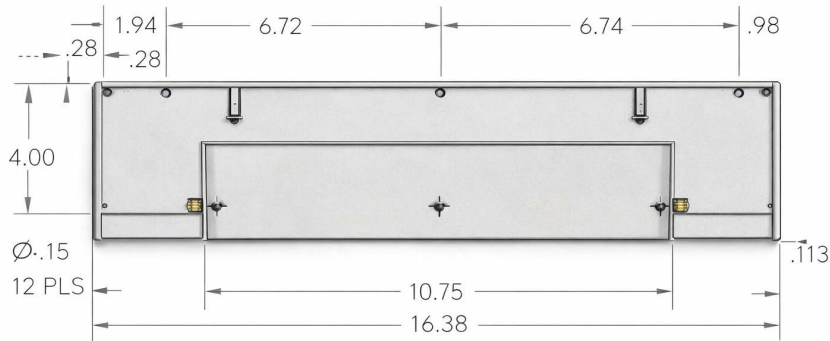
SSL-825VDC 40	DPST		
USB	7XW310	DM	
Recpt	TXW310	0-10V Dimming	

Configuration Example

Part No. SSL-825VDC-40-Recpt-DPST-120-7XW310

Description LED Berth, 20-30VDC, 4100K, USB, DPST Toggle Switch, 7XW3-10' Cable

Dimensions





SSL-840 Exit Light Low Voltage

Product Features

- Power: 20-30VDC
- 0-10V Dimming
- 5 Watts
- Red or Green Lettering
- Emergency Battery Backup (120min)
- Power Indicator Light and Test Switch
- Wall, Ceiling, End Mount
- Lexan Lens
- 8 lbs
- Marine Grade White Powder Coating
- Stainless Steel hardware
- Single or Double Face
- MIL-DTL-16377 Compliant



Ordering Part Number

SSL-840VDC

RR
Red
GR
Green

S
Single Face
D
Double Face

W
Wall Mount
C
Ceiling Mount
E
End Mount

NE
Non-EM
EM
Emergency
DM
0-10v Dimming

Configuration Example

Part No. SSL-840VDC-RR-S-W-EM

Description LED Exit, 20-30VDC, Red, Single Face, Wall Mount, Emergency (120min)

Dimensions

