

8

7

6

5

4

3

2

1

D

D

C

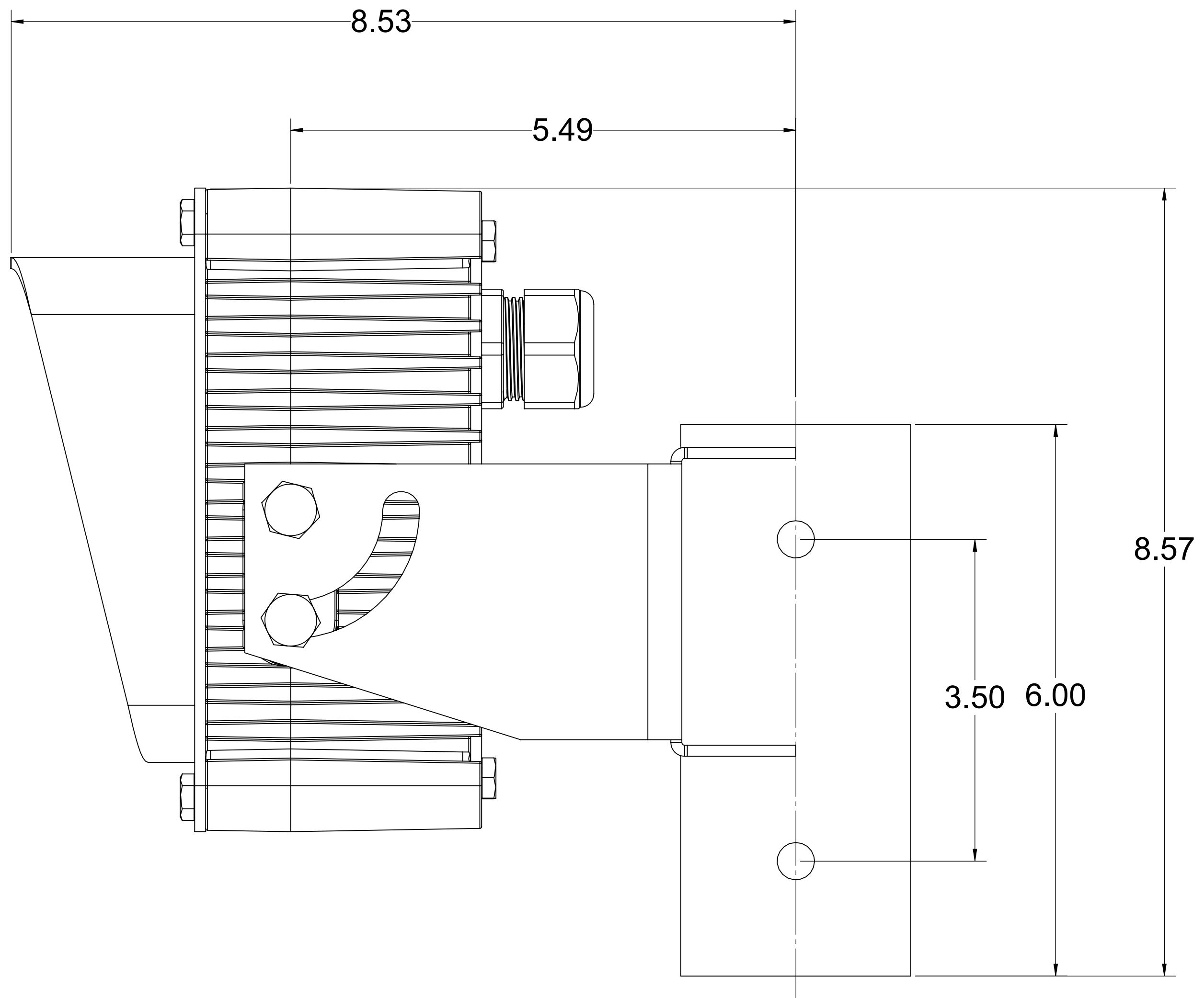
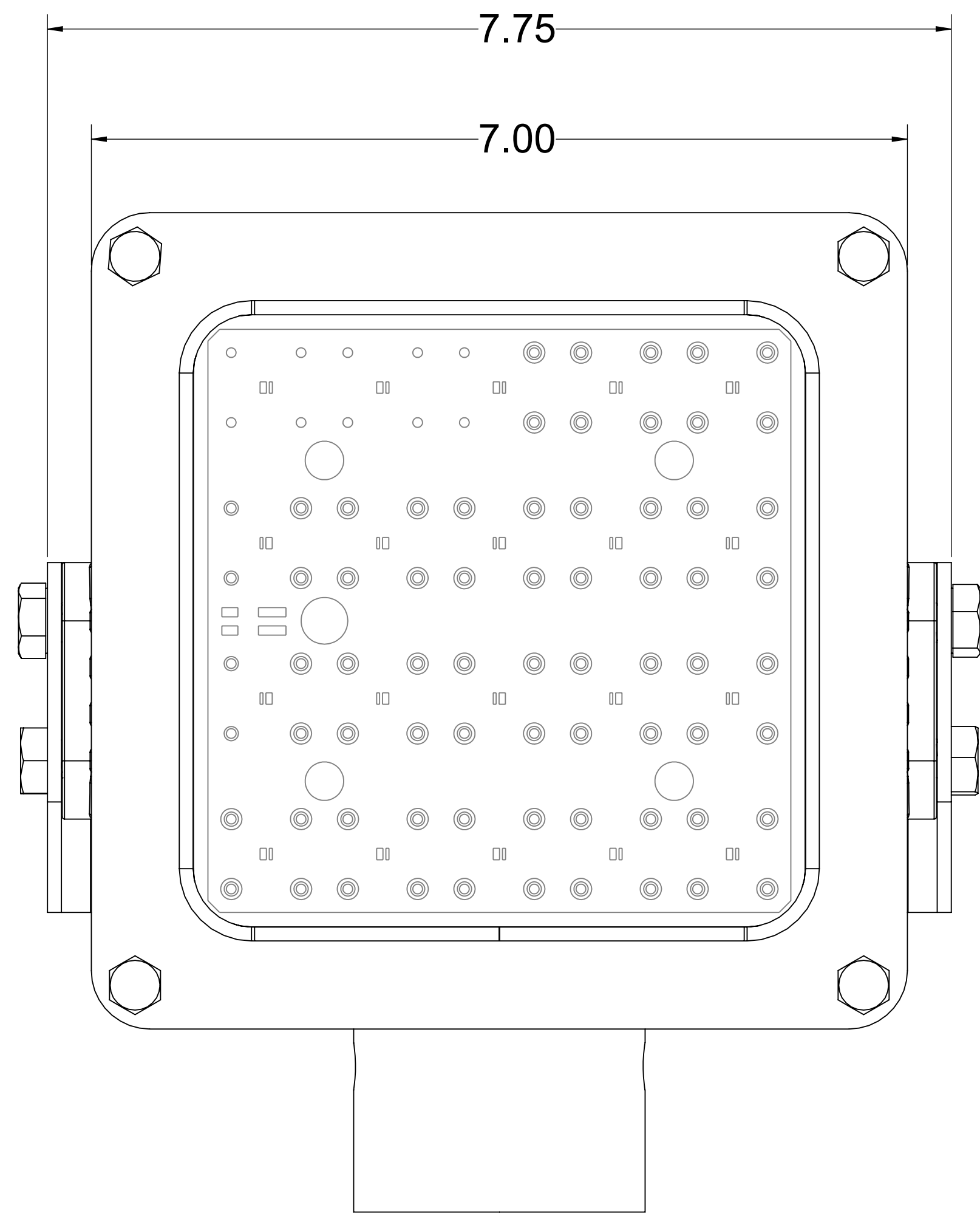
C

B

B

A

A



PROPRIETARY AND CONFIDENTIAL
 THE INFORMATION CONTAINED IN THIS DRAWING IS THE SOLE PROPERTY OF [INSERT COMPANY NAME HERE]. ANY REPRODUCTION IN PART OR AS A WHOLE WITHOUT THE WRITTEN PERMISSION OF [INSERT COMPANY NAME HERE] IS PROHIBITED.

UNLESS OTHERWISE SPECIFIED: DIMENSIONS ARE IN INCHES			
TOLERANCES:			
ANGULAR: ± 1 DEG			
TWO PLACE DECIMAL ±0.01			
THREE PLACE DECIMAL ±0.005			
MATERIAL	DIECAST ALUMINUM	DRAWN	DARRELL P.
FINISH	POWDERCOAT	CHECKED	DARRELL P.
		ENG APPR.	DARRELL P.
		MFG APPR.	DARRELL P.
		Q.A.	DARRELL P.

LED LIGHTING SOLUTIONS

LLS WATER LINE SECURITY LIGHT

SIZE	DWG. NO.	REV
D	SSL-304-XX	A

8

7

6

5

4

3

2

1