



LED LIGHTING SOLUTIONS

Precision Lighting for Naval Defense Platforms



MILX12 High Bay

M16377/85 - Symbol 76 Equivalent

Product Features

- 115VAC 50/60Hz
- 120 Watts (4100K)
- 20 Watts (Colored)
- White, Red, NVD Options
- 38 lbs
- 100,000 Life Hours
- Die-Cast Aluminum Body
- Polycarbonate Lens
- Stainless Steel Hardware
- Three Shock Mounts
- 3/4" Cord Grip
- Input Port within each head
- MIL-DTL-16377 Compliant
- ABS



©LEDLIGHTINGSOLUTIONS DIRECT.Info@1LLS.com OFFICE.855.309.1702 FAX.941.296.7313
WWW.LEDLIGHTINGSOLUTIONS.COM

All rights reserved. LED Lighting Solutions reserves the right to change specifications for product improvement without prior notice

Ordering Part Number

LLS360-MILX12-_____ 40 _____

8
Medium Lens
F
Flat Lens

SD
Standard Mount
FD
Flush Mount

EM
Emergency
EMRW
Emergency Red
EMRW10
Emergency Red (10W)
EMCW
Emergency Cyan

0
No Cable
LST10
10' LSTHOF-3 Cable
LST15
15' LSTHOF-3 Cable
LSH10
10' LSFHOF-3 Cable
LSF10
15' LSFHOF-10'
7XW3
EM Cable

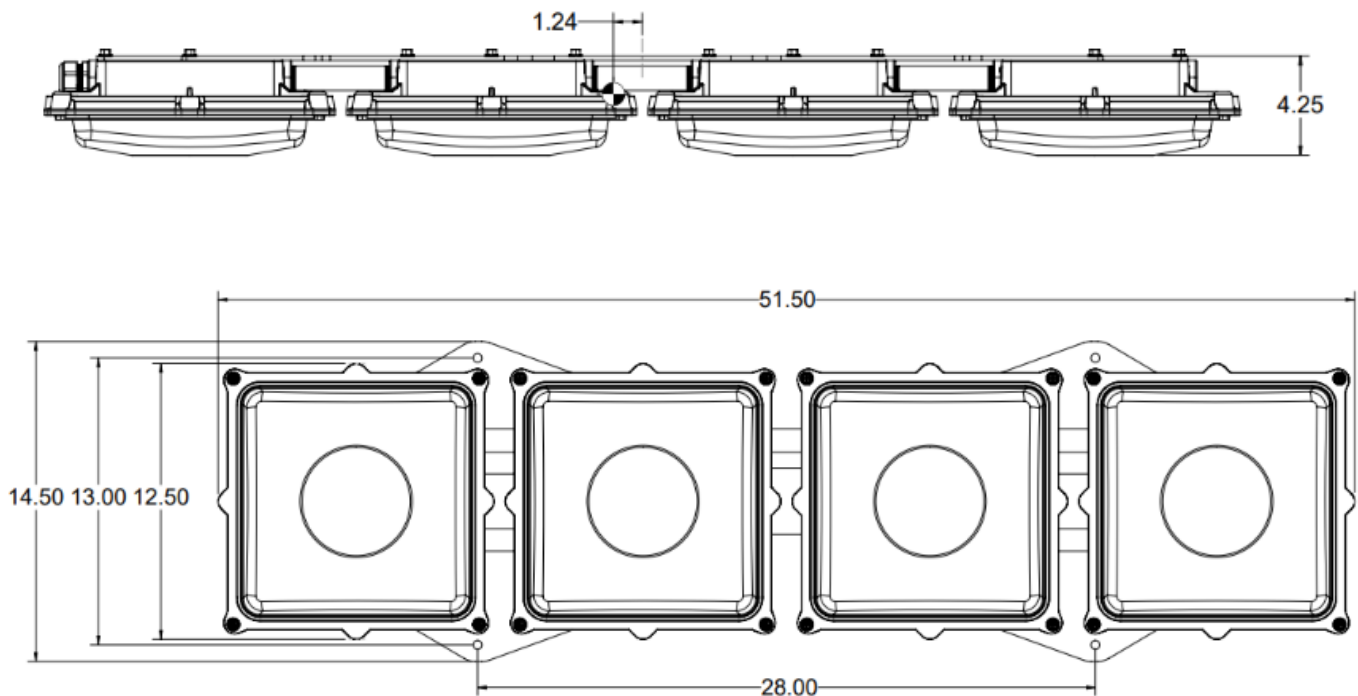
*EM units will be provided with 7XW-3 Cable.

Configuration Example

Part No. LLS360-MILX12-8-40-SD

Description : LED MILX12, Medium Lens, 4100K, Standard Mount, Non-EM, No Cable

Medium Lens Shown Below



Flat Lens Shown Below

