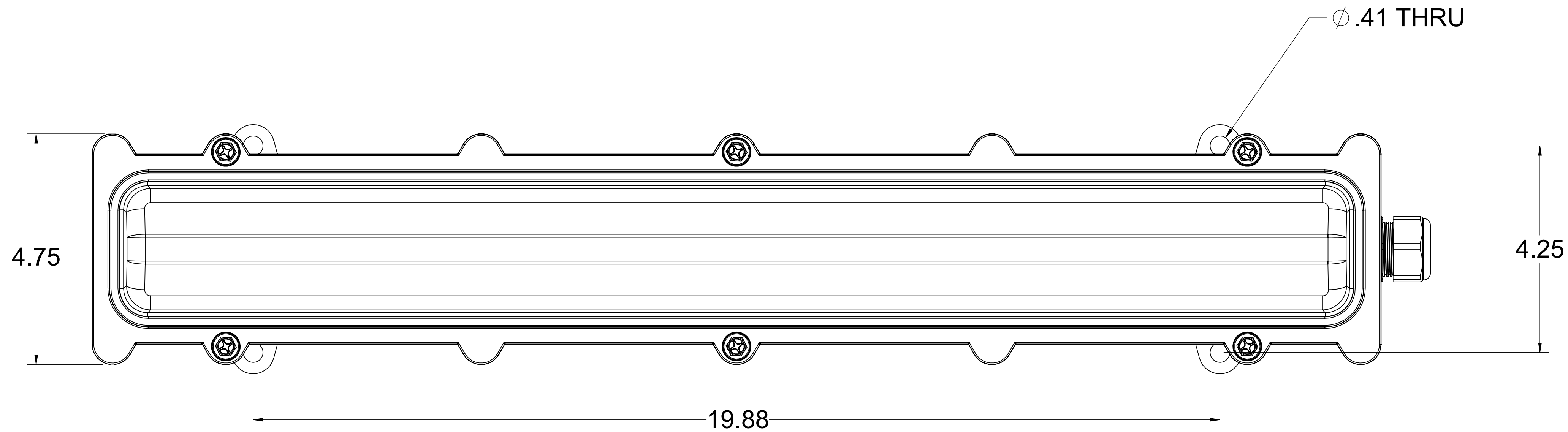
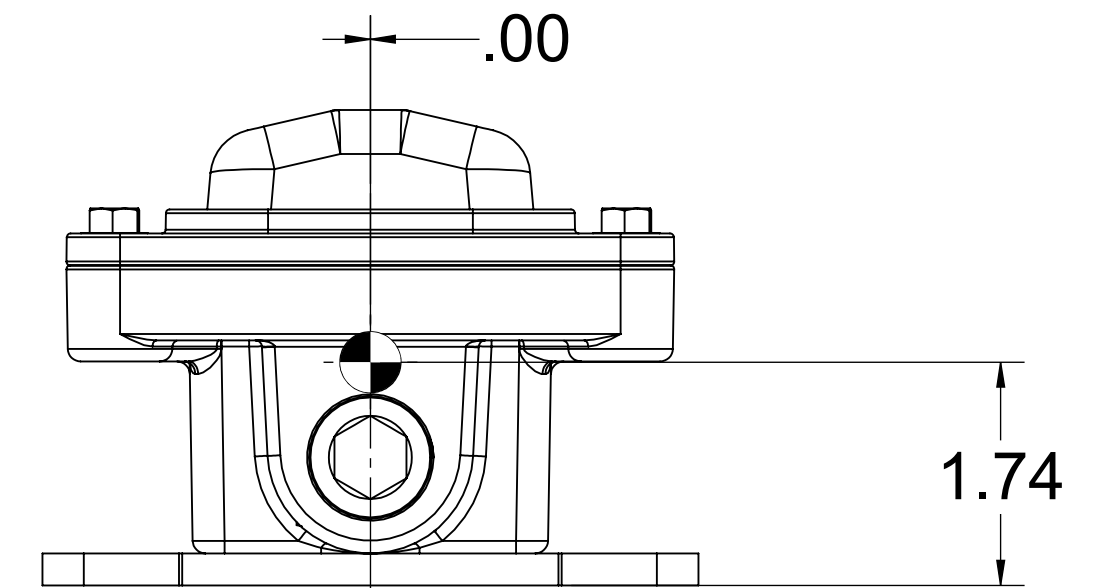
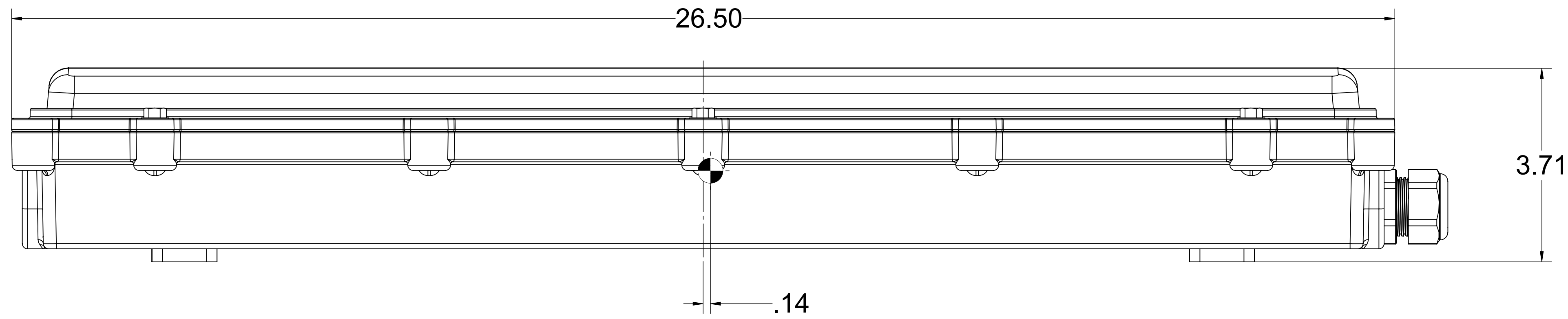


REVISIONS				
ZONE	REV.	DESCRIPTION	DATE	APPROVED
ALL	A	INITIAL RELEASE	3/17/26	3/17/26



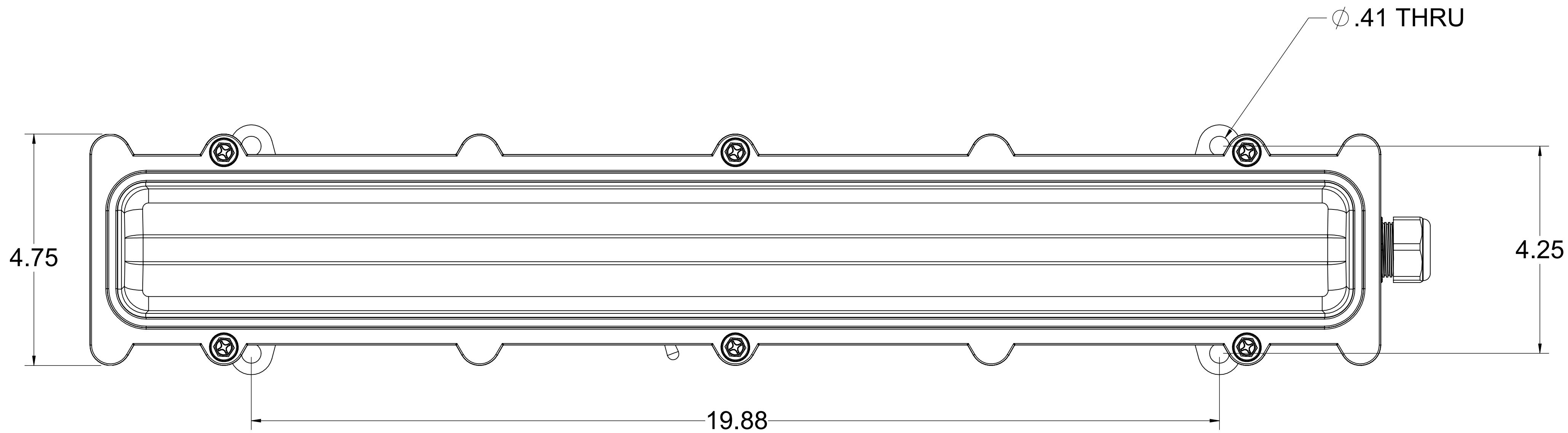
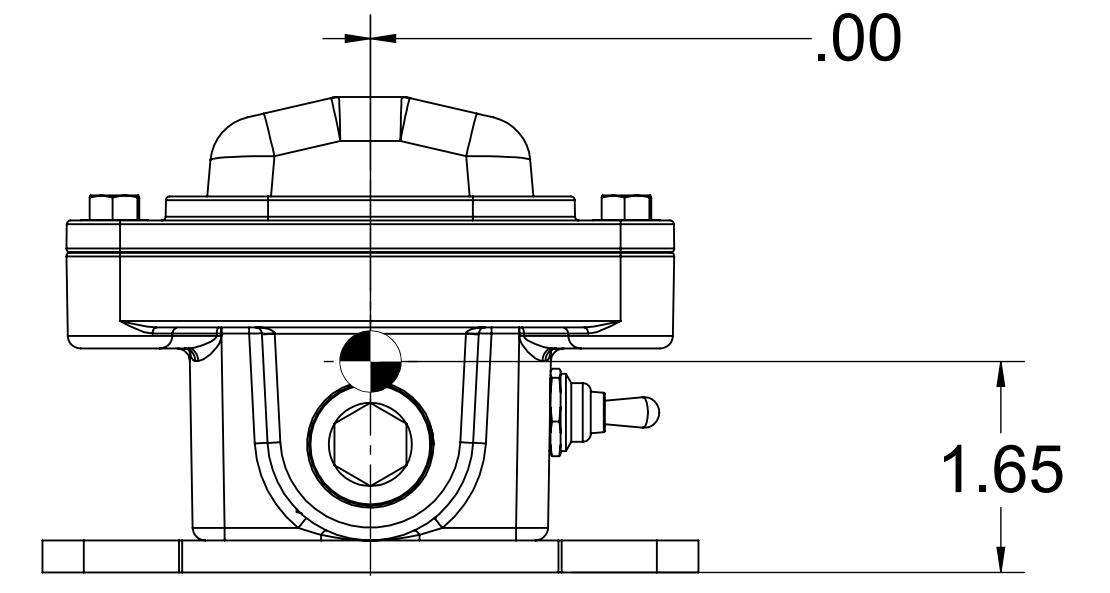
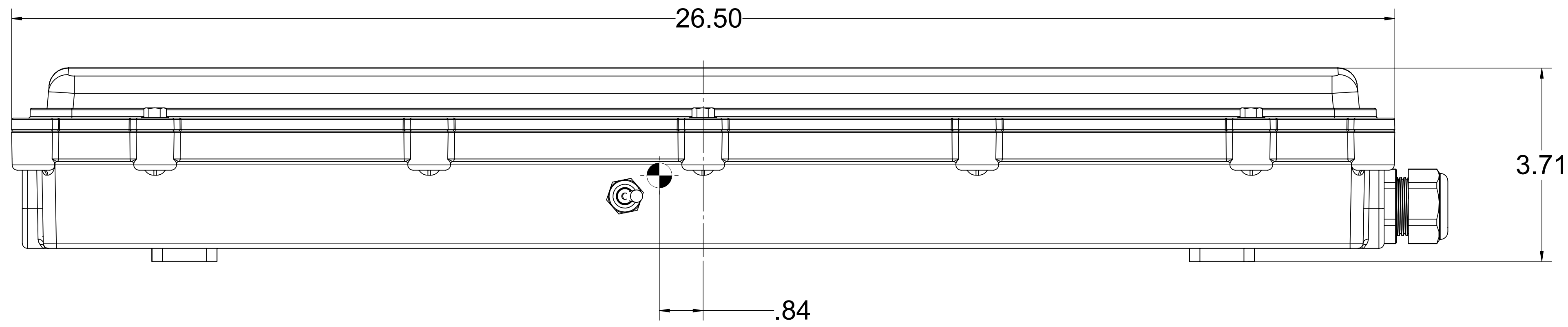
FIXTURE WEIGHT (W/OUT CABLE) = 7LBS - 4OZ  
 115VAC, 60HZ, INPUT  
 10W WHITE, 5W COLOR  
 NON-EMERGENCY BACKUP TYPE

LLS MODEL NUMBER	DESCRIPTION
LLLS-M24-331.1	2FT LIGHT, SSL 10W, 120VAC, STANDARD MOUNT, NON-EM, WHITE ONLY
LLLS-M24-331.1-RW	2FT LIGHT, SSL 5W, 120VAC, STANDARD MOUNT, NON-EM, RED ONLY
LLLS-M24-331.1-CW	2FT LIGHT, SSL 5W, 120VAC, STANDARD MOUNT, NON-EM, CYAN ONLY

LED LIGHTING SOLUTIONS

UNLESS OTHERWISE SPECIFIED: DIMENSIONS ARE IN INCHES TOLERANCES: ANGULAR ± .1 DEG TWO PLACE DECIMAL ±0.01 THREE PLACE DECIMAL ±0.005		DRAWN	NAME	DATE	2FT, 10W, STANDARD MOUNT LIGHT FIXTURE, NON-EM
PROPRIETARY AND CONFIDENTIAL THE INFORMATION CONTAINED IN THIS DRAWING IS THE SOLE PROPERTY OF <INSERT COMPANY NAME HERE>. ANY REPRODUCTION IN PART OR AS A WHOLE WITHOUT THE WRITTEN PERMISSION OF <INSERT COMPANY NAME HERE> IS PROHIBITED.		CHECKED	DARRELL P.	3/17/26	
MATERIAL		ENG APPR.	DARRELL P.		
FINISH		MFG APPR.	DARRELL P.		
DO NOT SCALE DRAWING		Q.A.	DARRELL P.		SCALE: 1:2 CAGE CODE: 6Q972 SHEET 1 OF 1

REVISIONS				
ZONE	REV.	DESCRIPTION	DATE	APPROVED
ALL	A	INITIAL RELEASE	3/17/26	3/17/26

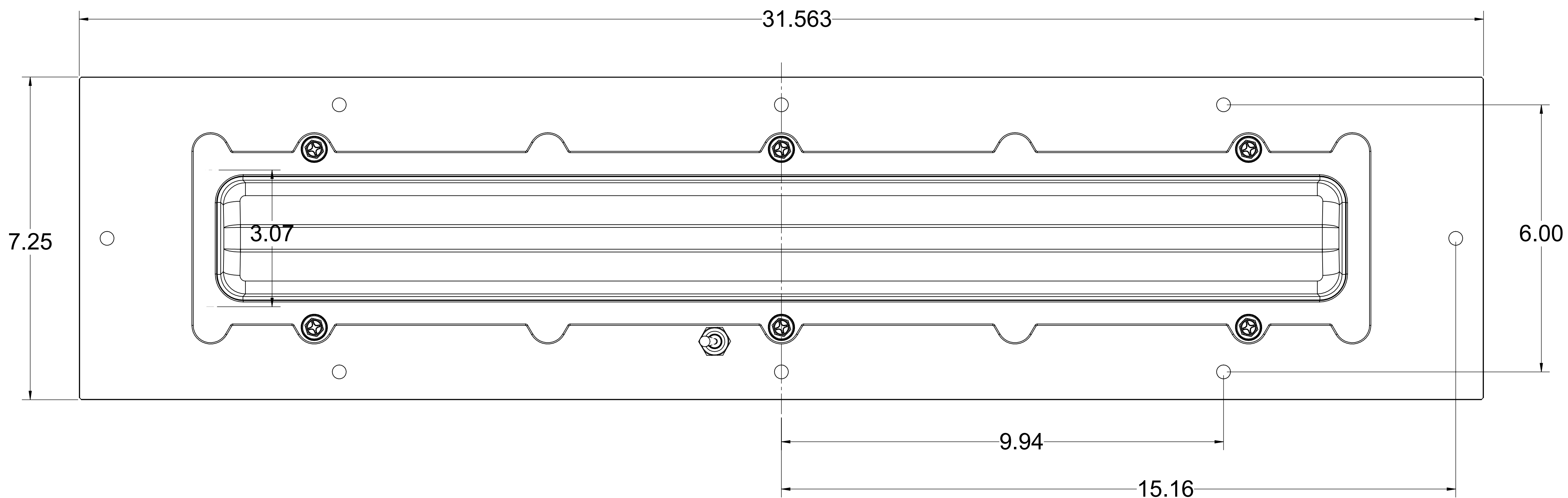
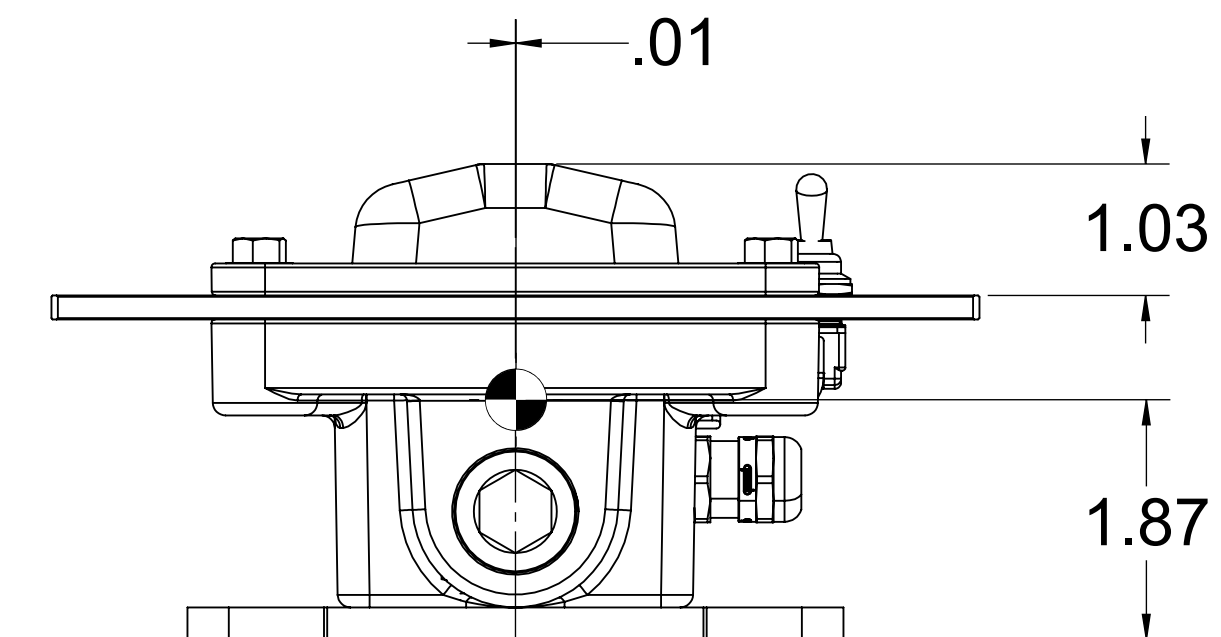
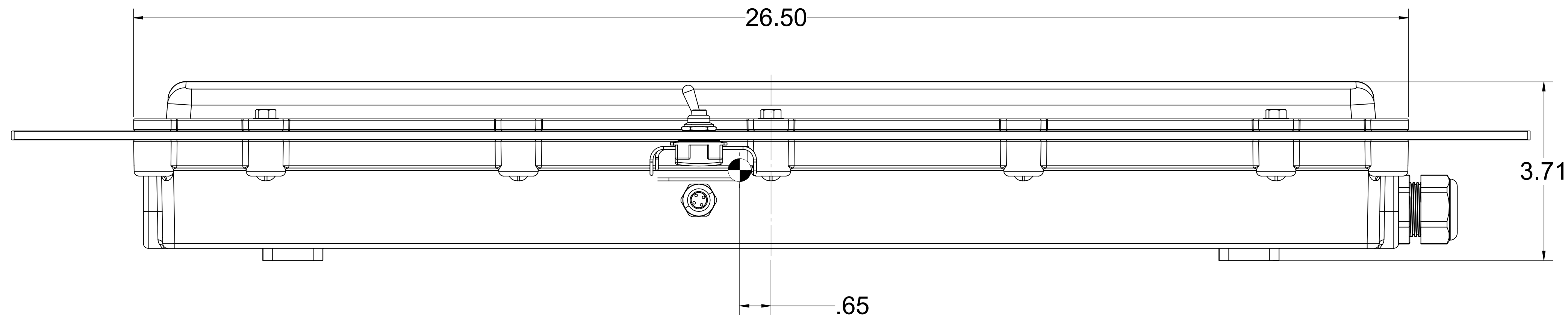


**FIXTURE WEIGHT (W/OUT CABLE) = 8LBS - 4OZ**  
**115VAC, 60HZ, INPUT**  
**10W WHITE, 5W COLOR**  
**EMERGENCY BACKUP TYPE**

LLS MODEL NUMBER	DESCRIPTION
LLLS-M24-331.1-EM	2FT LIGHT, SSL 10W, 120VAC, STANDARD MOUNT, EMERGENCY, WHITE ONLY
LLLS-M24-331.1-EMRW	2FT LIGHT, SSL 5W, 120VAC, STANDARD MOUNT, EMERGENCY, RED ONLY
LLLS-M24-331.1-EMCW	2FT LIGHT, SSL 5W, 120VAC, STANDARD MOUNT, EMERGENCY, CYAN ONLY

UNLESS OTHERWISE SPECIFIED: DIMENSIONS ARE IN INCHES TOLERANCES: ANGULAR ± .1 DEG TWO PLACE DECIMAL ±0.01 THREE PLACE DECIMAL ±0.005		DRAWN	NAME	DATE	2FT, 10W, STANDARD MOUNT LIGHT FIXTURE, EMER SCALE: 1:2 CAGE CODE: 6Q972 SHEET 1 OF 1
<small>           PROPRIETARY AND CONFIDENTIAL            THE INFORMATION CONTAINED IN THIS            DRAWING IS THE SOLE PROPERTY OF            (INSERT COMPANY NAME HERE). ANY            REPRODUCTION IN PART OR AS A WHOLE            WITHOUT THE WRITTEN PERMISSION OF            (INSERT COMPANY NAME HERE) IS            PROHIBITED.         </small>		CHECKED	DARRELL P.	3/17/26	
MATERIAL		ENG APPR.	DARRELL P.		
FINISH		MFG APPR.	DARRELL P.		
DO NOT SCALE DRAWING		Q.A.	DARRELL P.		SIZE DWG. NO. REV <b>D</b> LLS-M24-331.1-EMXX <b>A</b>

REVISIONS				
ZONE	REV.	DESCRIPTION	DATE	APPROVED
ALL	A	INITIAL RELEASE	3/17/26	3/17/26



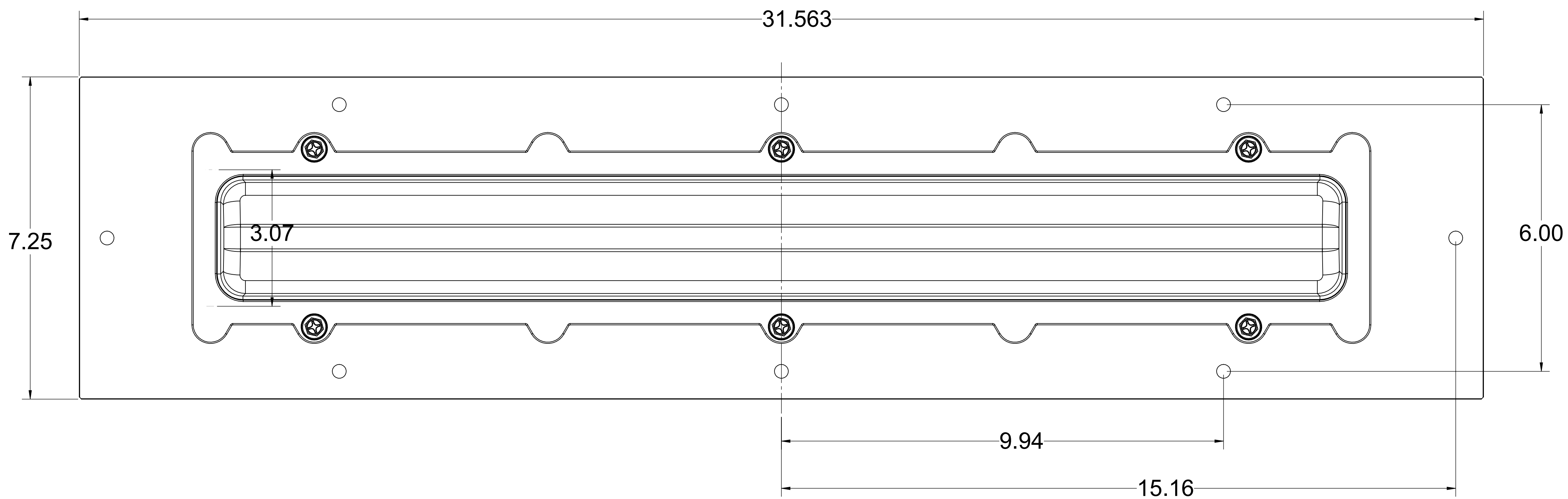
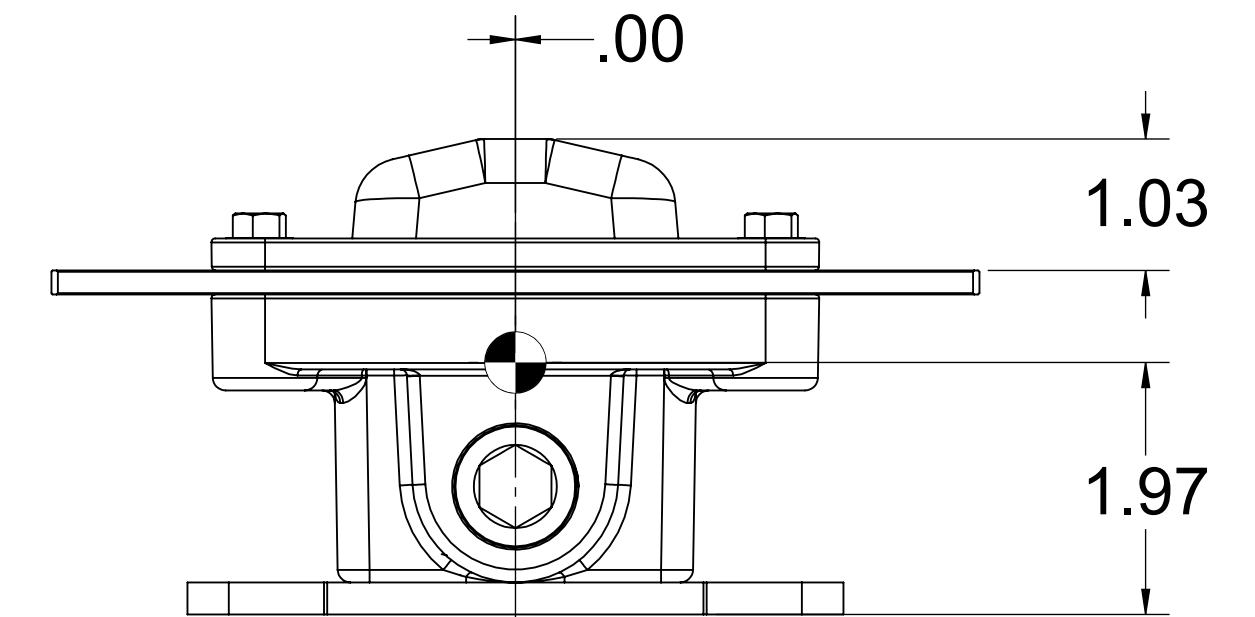
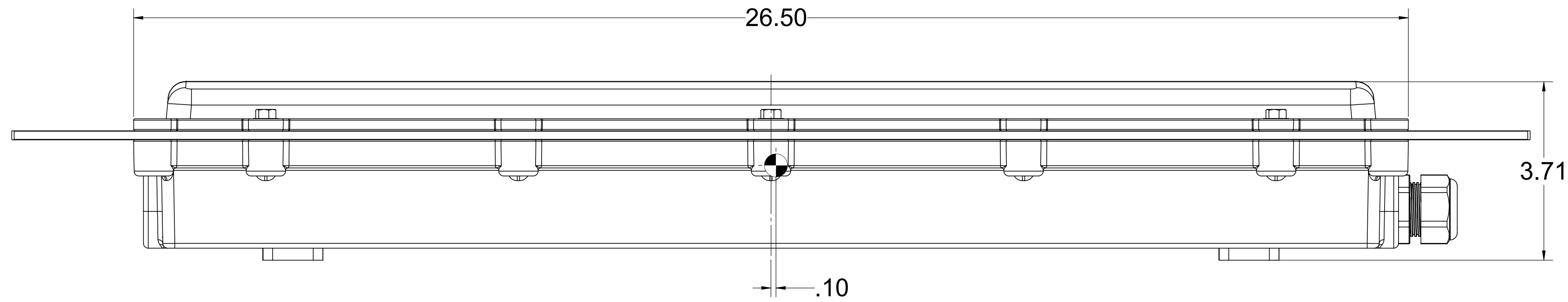
**FIXTURE WEIGHT (W/OUT CABLE) = 10LBS - 10OZ**  
**115VAC, 60HZ, INPUT**  
**10W WHITE, 5W COLOR**  
**NON-EMERGENCY BACKUP TYPE**

LLS MODEL NUMBER	DESCRIPTION
LLLS-M24-331.2-EM	2FT LIGHT, SSL 10W, 120VAC, FLUSH MOUNT, EMERGENCY, WHITE ONLY
LLLS-M24-331.2-EMRW	2FT LIGHT, SSL 5W, 120VAC, FLUSH MOUNT, EMERGENCY, RED ONLY
LLLS-M24-331.2-EMCW	2FT LIGHT, SSL 5W, 120VAC, FLUSH MOUNT, EMERGENCY, CYAN ONLY

UNLESS OTHERWISE SPECIFIED: DIMENSIONS ARE IN INCHES TOLERANCES: ANGULAR ± .1 DEG TWO PLACE DECIMAL ±0.01 THREE PLACE DECIMAL ±0.005		DRAWN	NAME	DATE	<b>2FT, 10W, FLUSH MOUNT LIGHT FIXTURE, EMER</b>  SIZE: DWG. NO. REV <b>D</b> LLS-M24-331.2-EMXX <b>A</b> SCALE: 1:2 CAGE CODE: 6Q972 SHEET 1 OF 1
<small>           PROPRIETARY AND CONFIDENTIAL            THE INFORMATION CONTAINED IN THIS DRAWING IS THE SOLE PROPERTY OF [INSERT COMPANY NAME HERE]. ANY REPRODUCTION IN PART OR AS A WHOLE WITHOUT THE WRITTEN PERMISSION OF [INSERT COMPANY NAME HERE] IS PROHIBITED.         </small>		CHECKED	DARRELL P.	3/17/26	
MATERIAL N/A		ENG APPR.	DARRELL P.		
FINISH N/A		MFG APPR.	DARRELL P.		

DO NOT SCALE DRAWING

REVISIONS				
ZONE	REV.	DESCRIPTION	DATE	APPROVED
ALL	A	INITIAL RELEASE	3/17/26	3/17/26



FIXTURE WEIGHT (W/OUT CABLE) = 9LBS - 100Z  
 115VAC, 60HZ, INPUT  
 10W WHITE, 5W COLOR  
 NON-EMERGENCY BACKUP TYPE

LLS MODEL NUMBER	DESCRIPTION
LLLS-M24-331.2	2FT LIGHT, SSL 10W, 120VAC, FLUSH MOUNT, NON-EM, WHITE ONLY
LLLS-M24-331.2-RW	2FT LIGHT, SSL 5W, 120VAC, FLUSH MOUNT, NON-EM, RED ONLY
LLLS-M24-331.2-CW	2FT LIGHT, SSL 5W, 120VAC, FLUSH MOUNT, NON-EM, CYAN ONLY

UNLESS OTHERWISE SPECIFIED:  
 DIMENSIONS ARE IN INCHES  
 TOLERANCES:  
 ANGULAR ± 1 DEG  
 TWO PLACE DECIMAL ±0.01  
 THREE PLACE DECIMAL ±0.005

PROPERTY AND CONFIDENTIAL  
 THE INFORMATION CONTAINED IN THIS DRAWING IS THE SOLE PROPERTY OF LLS. ANY REPRODUCTION IN PART OR AS A WHOLE WITHOUT THE WRITTEN PERMISSION OF LLS IS PROHIBITED.

MATERIAL	N/A	CHECKED	DARRELL P.	NAME	DARRELL P.	DATE	3/17/26
FINISH	N/A	ENG APPR.	DARRELL P.				
		MFG APPR.	DARRELL P.				
		Q.A.	DARRELL P.				

SCALE: 1:2 CAGE CODE: 6Q972 SHEET 1 OF 1

2FT, 10W, FLUSH MOUNT LIGHT FIXTURE, NON-EM

LLS-M24-331.2-XX A

