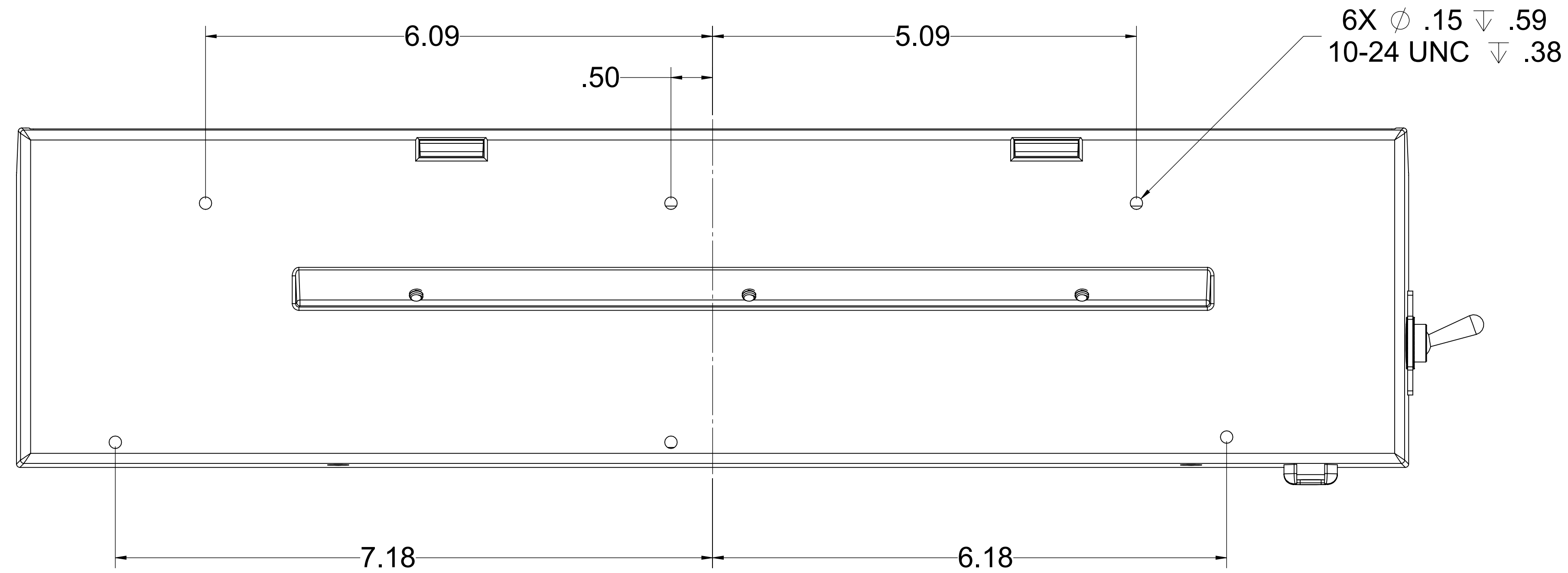
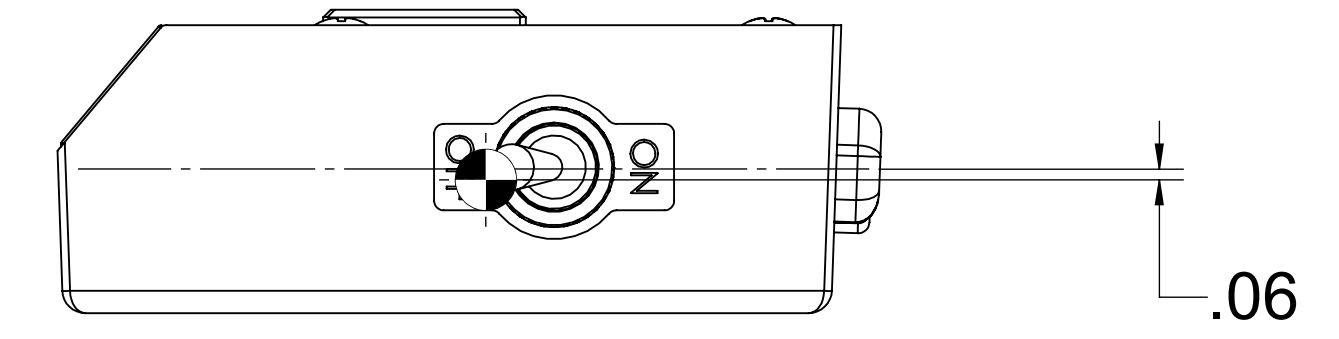
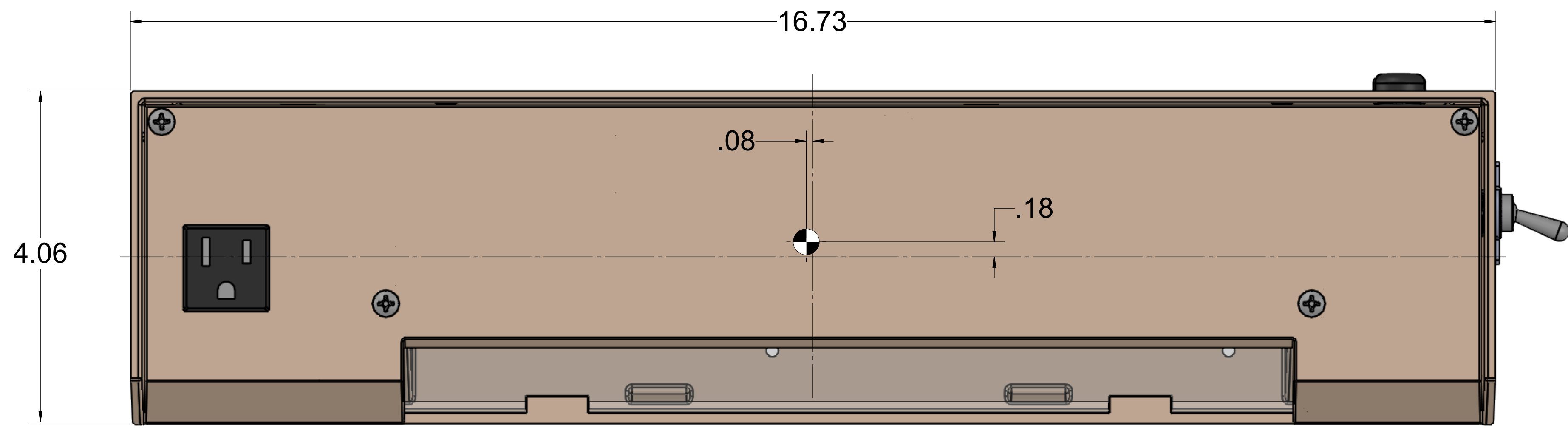


REVISIONS				
ZONE	REV.	DESCRIPTION	DATE	APPROVED
ALL	A	INITIAL RELEASE	5/8/25	5/8/25



THESE ARE THE MOUNTING DIMENSIONS.

FIXTURE WEIGHT (W/OUT CABLE) = 2 lbs - 14oz
 115VAC, 60Hz, INPUT
 6 WATT, WHITE LIGHT OUTPUT

UNLESS OTHERWISE SPECIFIED:
 DIMENSIONS ARE IN INCHES
 TOLERANCES:
 ANGULAR ± .1 DEG
 TWO PLACE DECIMAL ±0.01
 THREE PLACE DECIMAL ±0.005

PROPERTY AND CONFIDENTIAL
 THE INFORMATION CONTAINED IN THIS DRAWING IS THE SOLE PROPERTY OF [INSERT COMPANY NAME HERE]. ANY REPRODUCTION IN PART OR AS A WHOLE WITHOUT THE WRITTEN PERMISSION OF [INSERT COMPANY NAME HERE] IS PROHIBITED.

DRAWN	DARRELL P.	NAME	DARRELL P.	DATE	5/8/25
CHECKED		ENG APPR.	DARRELL P.		
MFG APPR.	DARRELL P.	Q.A.	DARRELL P.		

MATERIAL: ALUMINUM DIE-CAST
 FINISH: POWDERCOAT
 DO NOT SCALE DRAWING

LLS BUNK LIGHT, OUTLET

SCALE: 1:1 CAGE CODE: 6Q972 SHEET 1 OF 2