



LED LIGHTING SOLUTIONS

Precision Lighting for Naval Defense Platforms



SSL-825 Bunk/Berth



Product Features

- Power: 115VAC 50/60Hz
- 3.5 Watts
- 4100K
- 100,000 Hours
- 3.5lbs (Not Including Cord)
- Die Cast Aluminum Construction, SS Hardware
- 7XW3 or TXW3 Cable Optional
- DPST Toggle Switch
- 120 Volt or USB Receptacle
- MIL-DTL16377 Compliant



©LEDLIGHTINGSOLUTIONS DIRECT.Info@1LLS.com OFFICE.855.309.1702 FAX.941.296.7313
WWW.LEDLIGHTINGSOLUTIONS.COM

All rights reserved. LED Lighting Solutions reserves the right to change specifications for product improvement without prior notice

Ordering Part Number

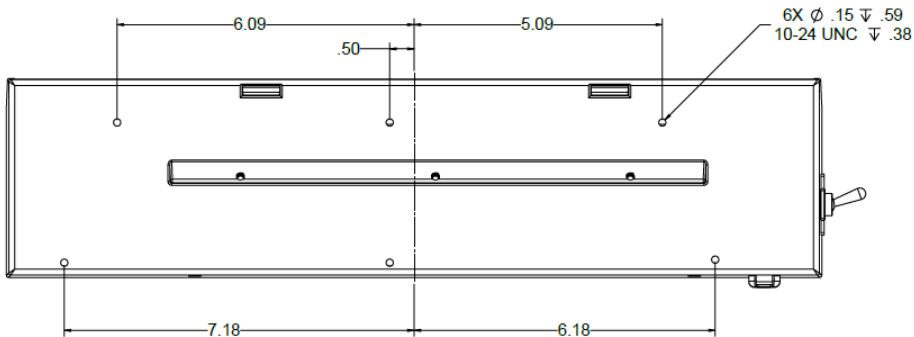
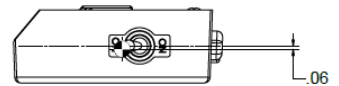
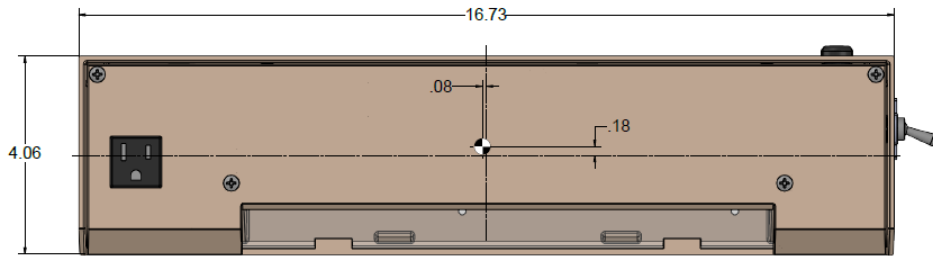
SSL-825 40 _____ DPST 120 _____
USB Recpt 7XW310
TXW310

Configuration Example

Part No. SSL-825-40-Recpt-DPST-120-7XW310

Description LED Berth, 4100K, USB, DPST Toggle Switch, 120V, 7XW3-10' Cable

Dimensions



FIXTURE WEIGHT (W/OUT CABLE) = 2 lbs - 14oz
115VAC, 60Hz, INPUT
6 WATT, WHITE LIGHT OUTPUT