



**LED LIGHTING SOLUTIONS**

*Precision Lighting for Naval Defense Platforms*



## SSL-840 Exit Light

### Product Features

- Power: 115VAC 50/60Hz
- 5 Watts
- Red or Green Lettering
- Emergency Battery Backup (120min)
- Power Indicator Light and Test Switch
- Wall, Ceiling, End Mount
- Lexan Lens
- 8 lbs
- Marine Grade White Powder Coating
- Stainless Steel hardware
- Single or Double Face
- MIL-DTL-16377 Compliant



# Ordering Part Number

## SSL-840

<b>RR</b>
Red
<b>GR</b>
Green

<b>S</b>
Single Face
<b>D</b>
Double Face

<b>W</b>
Wall Mount
<b>C</b>
Ceiling Mount
<b>E</b>
End Mount

<b>NE</b>
Non-EM
<b>EM</b>
Emergency

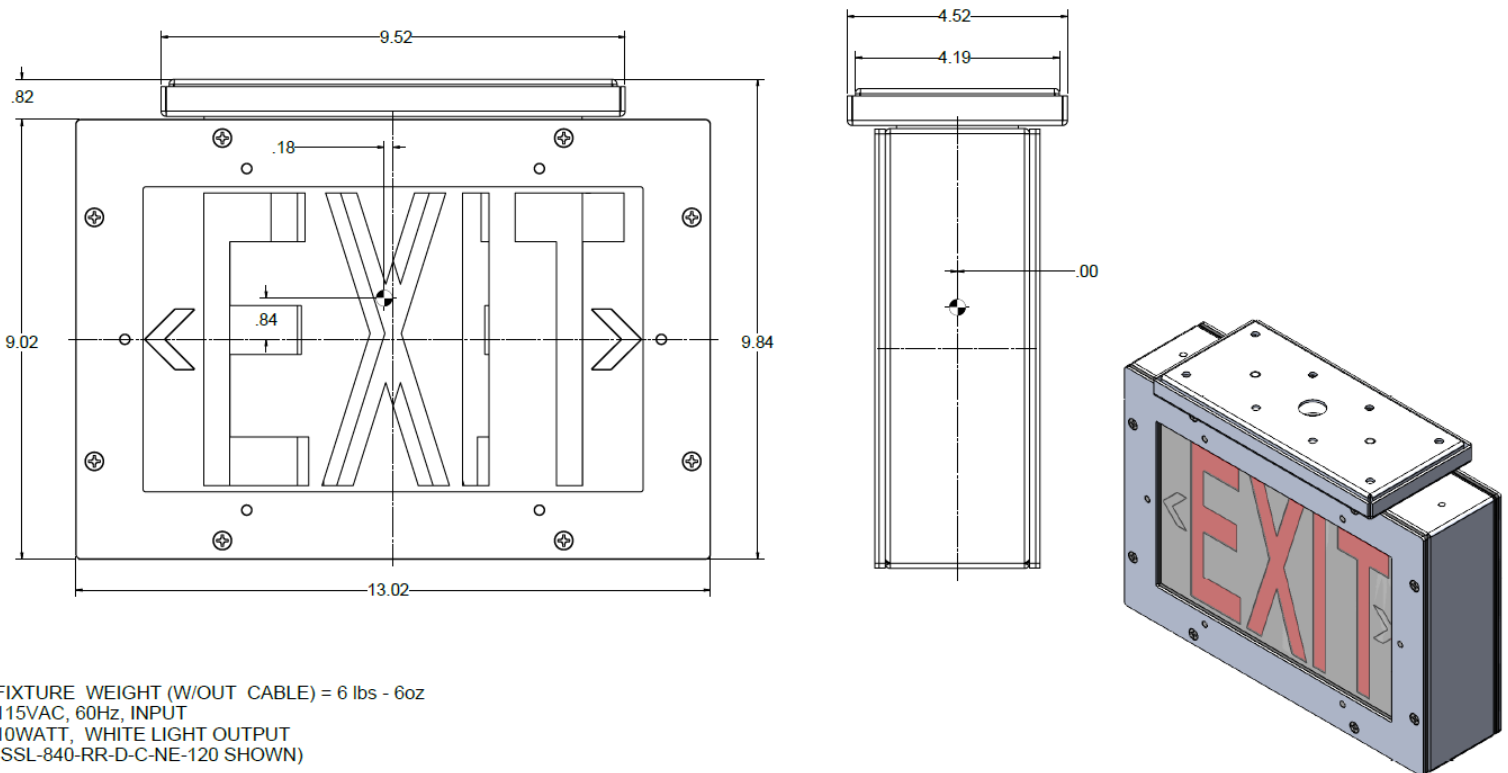
<b>120</b>
120vac
<b>277</b>
277vac

## Configuration Example

**Part No.** SSL-840-RR-S-W-EM-120

**Description** LED Exit, Red, Single Face, Wall Mount, Emergency (120min), 120VAC

## Dimensions



FIXTURE WEIGHT (W/OUT CABLE) = 6 lbs - 6oz  
 115VAC, 60Hz, INPUT  
 10WATT, WHITE LIGHT OUTPUT  
 (SSL-840-RR-D-C-NE-120 SHOWN)