

8

7

6

5

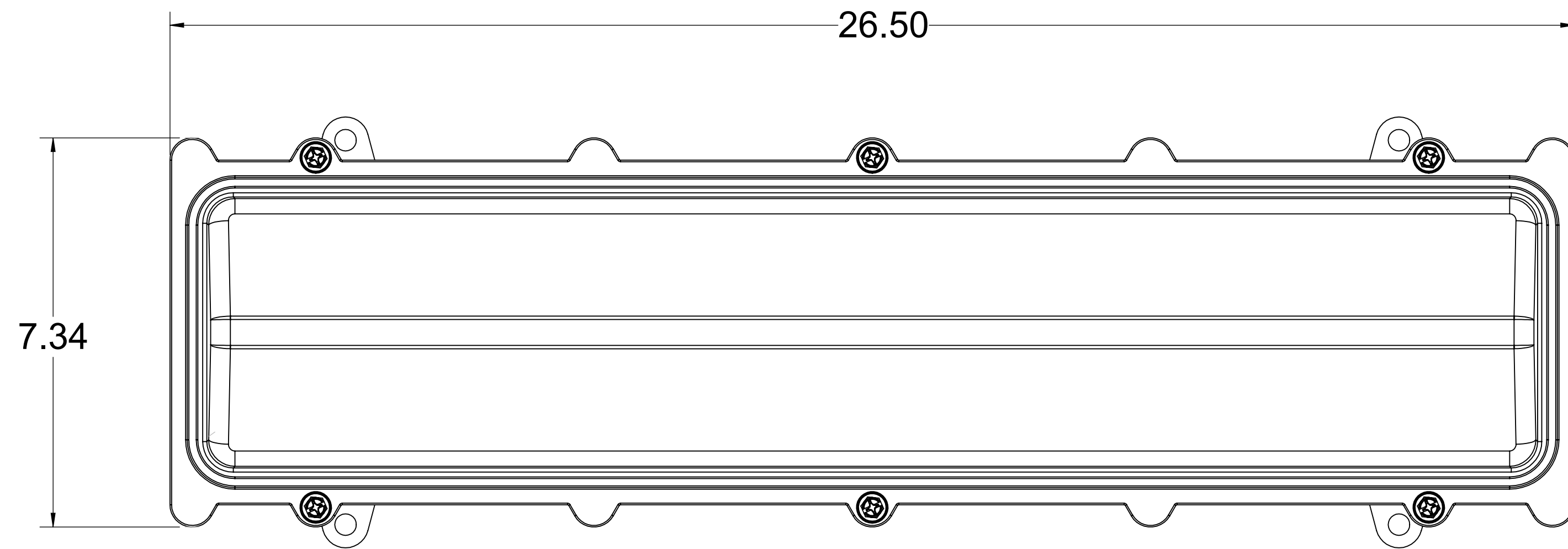
4

3

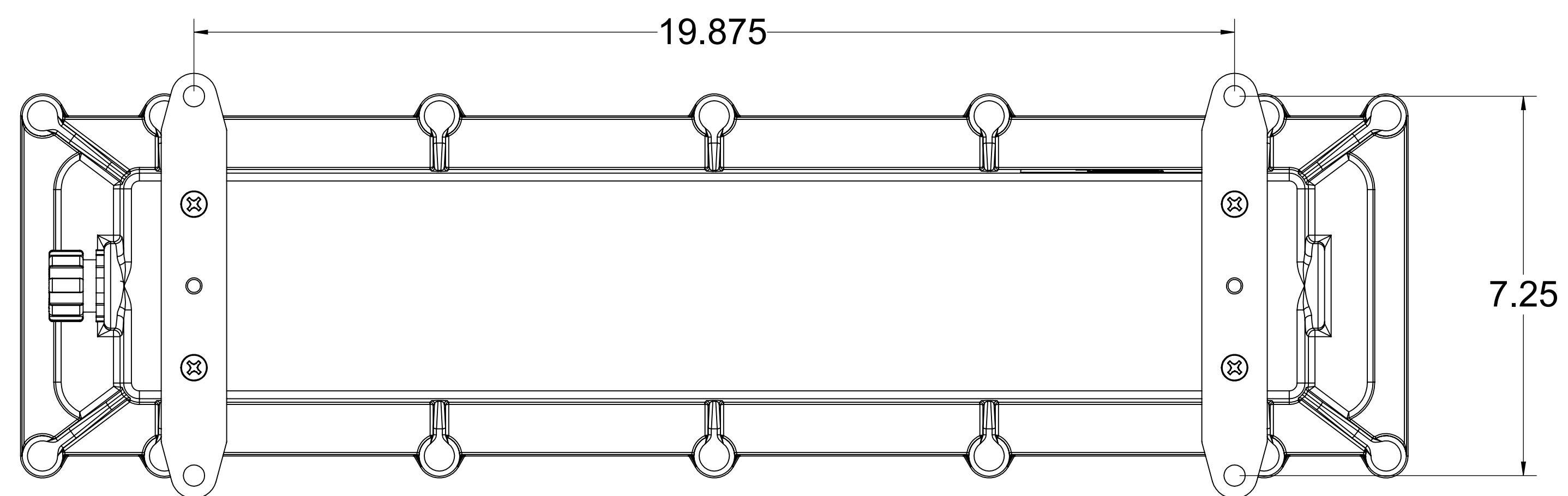
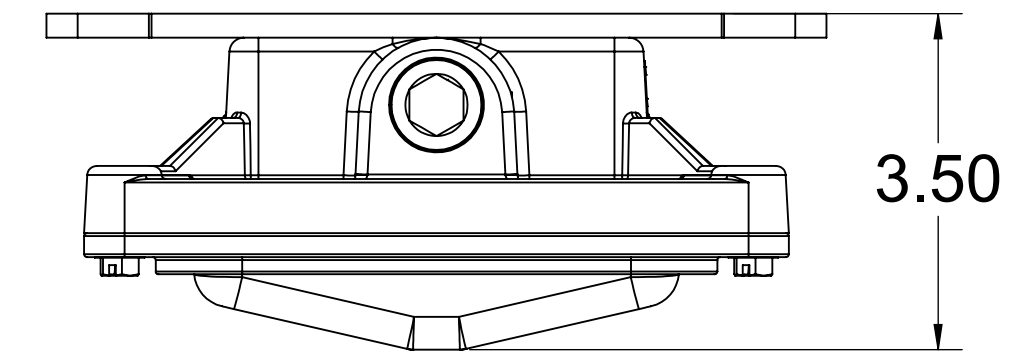
2

1

REVISIONS				
ZONE	REV.	DESCRIPTION	DATE	APPROVED



77.4 and 344.2



LED LIGHTING SOLUTIONS

<small>UNLESS OTHERWISE SPECIFIED: DIMENSIONS ARE IN INCHES TOLERANCES: ANGULAR ± 1 DEG TWO PLACE DECIMAL ±0.01 THREE PLACE DECIMAL ±0.005</small>	DRAWN	NAME	DATE
	CHECKED	DARRELL P.	1/01/22
	ENG APPR.	DARRELL P.	
	MFG APPR.	DARRELL P.	
<small>PROPRIETARY AND CONFIDENTIAL THE INFORMATION CONTAINED IN THIS DRAWING IS THE SOLE PROPERTY OF <INSERT COMPANY NAME HERE>. ANY REPRODUCTION IN PART OR AS A WHOLE WITHOUT THE WRITTEN PERMISSION OF <INSERT COMPANY NAME HERE> IS PROHIBITED.</small>	<small>DO NOT SCALE DRAWING</small>	<small>Q.A.</small>	<small>DARRELL P.</small>
<small>SCALE: 1:2 CAGE CODE: 6Q972 SHEET 1 OF 4</small>		<small>SIZE</small>	<small>DWG. NO.</small>
<small>D</small>		<small>XXXXXXXXXX</small>	<small>REV</small>
<small>A</small>		<small>XXXXXXXXXX</small>	<small>A</small>

8

7

6

5

4

3

2

1

8

7

6

5

4

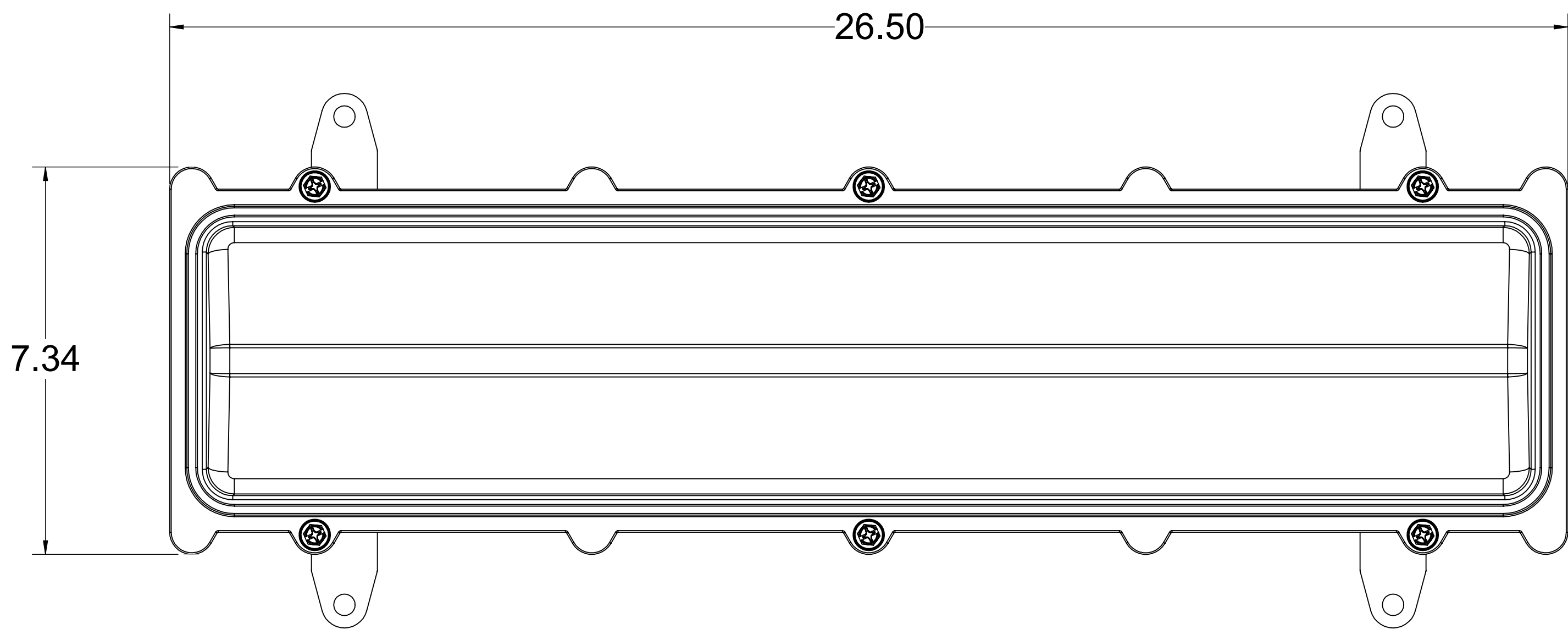
3

2

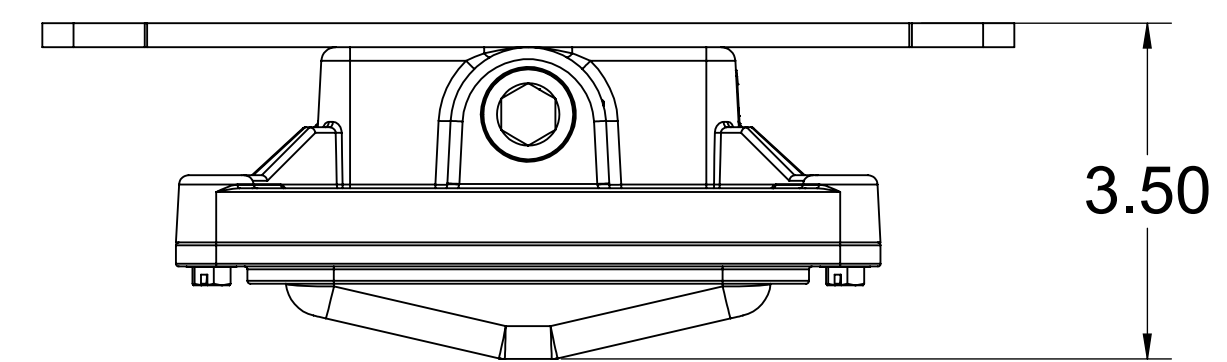
1

D

D



333.1 and 342.2

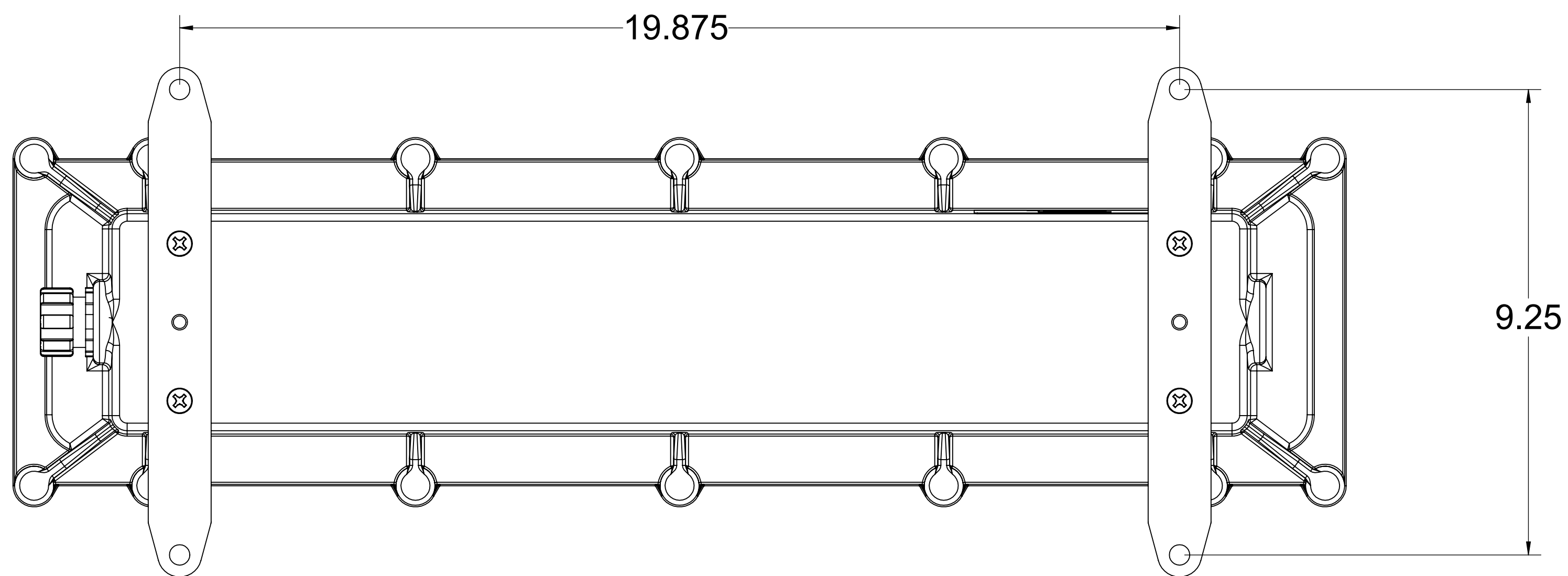


C

C

B

B



A

A

8

7

6

5

4

3

2

1

8

7

6

5

4

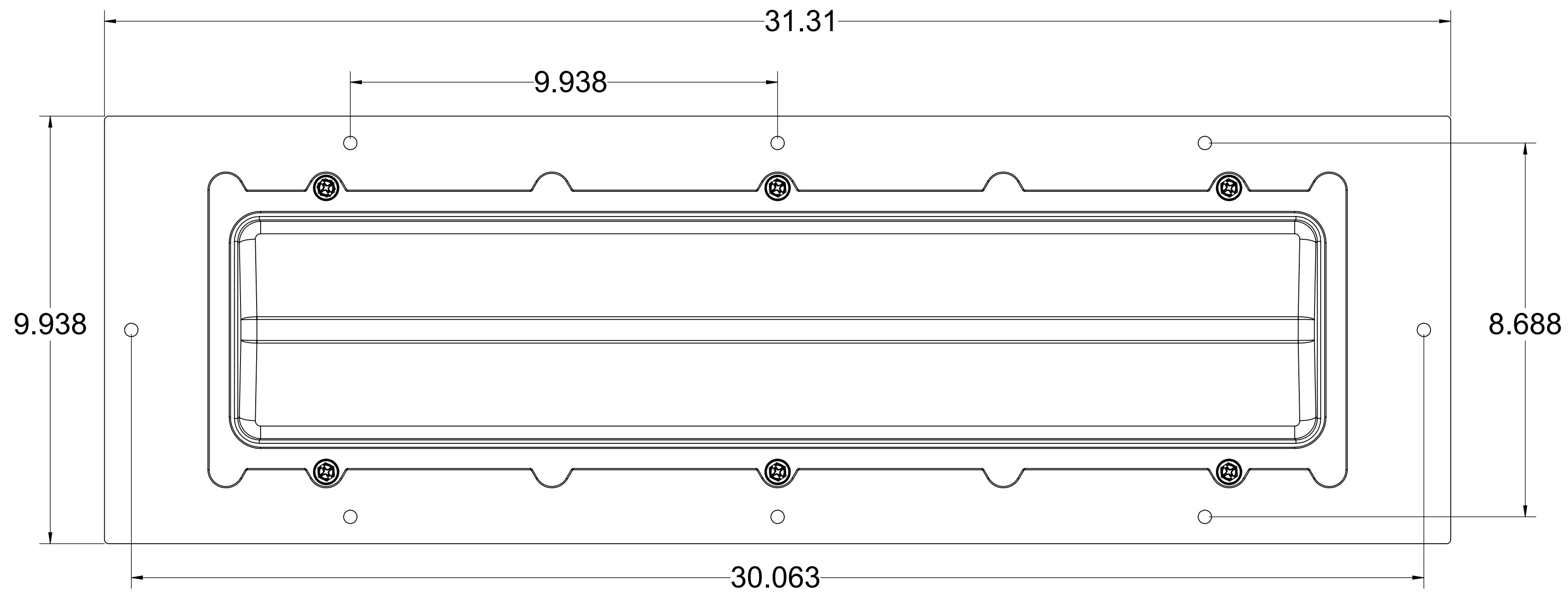
3

2

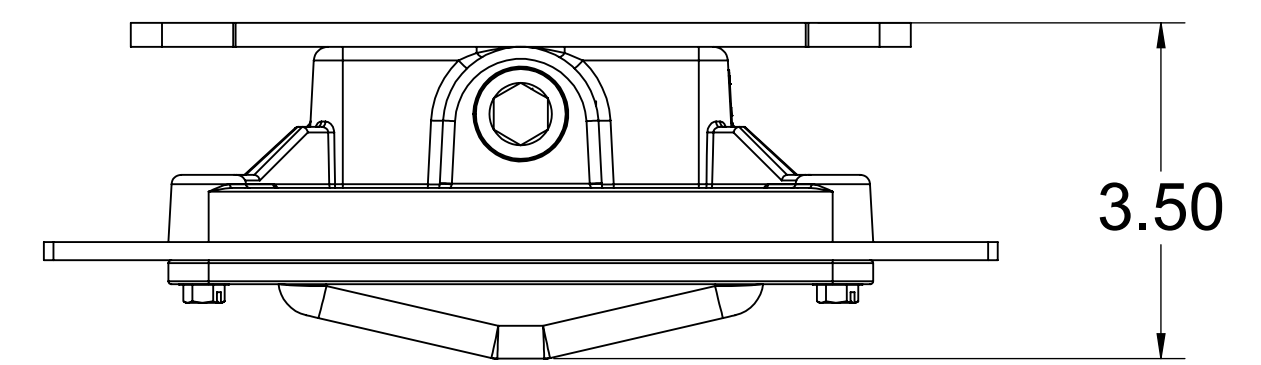
1

D

D



77.5 and 344.3

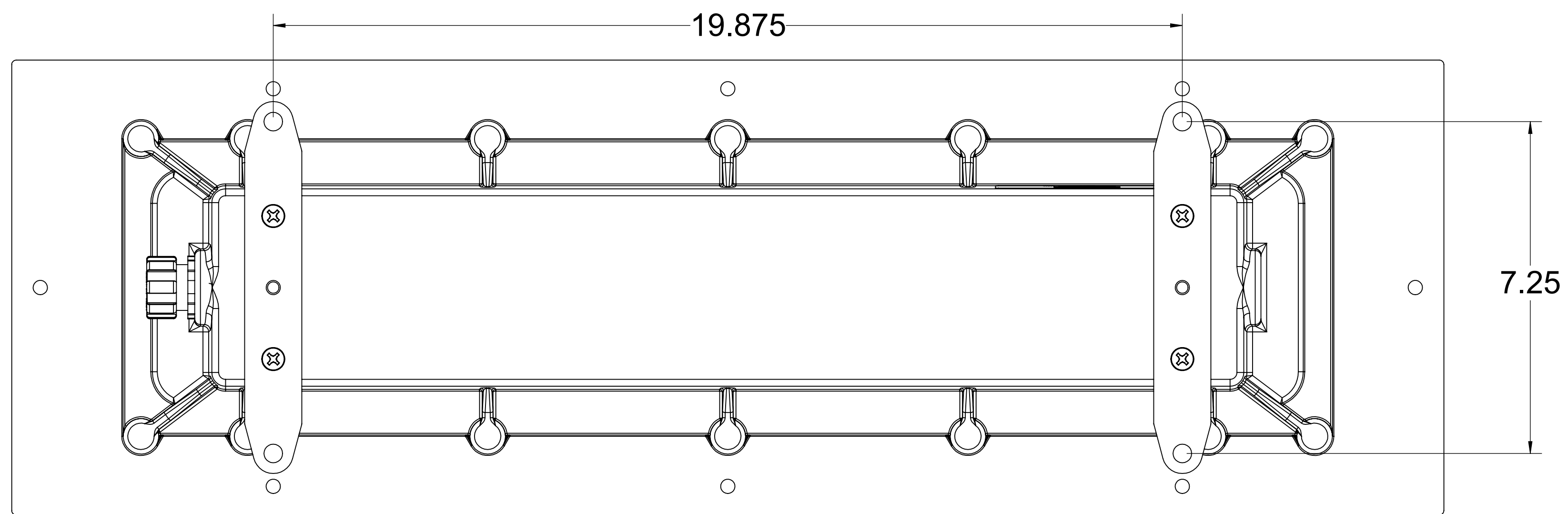


C

C

B

B



A

A

8

7

6

5

4

3

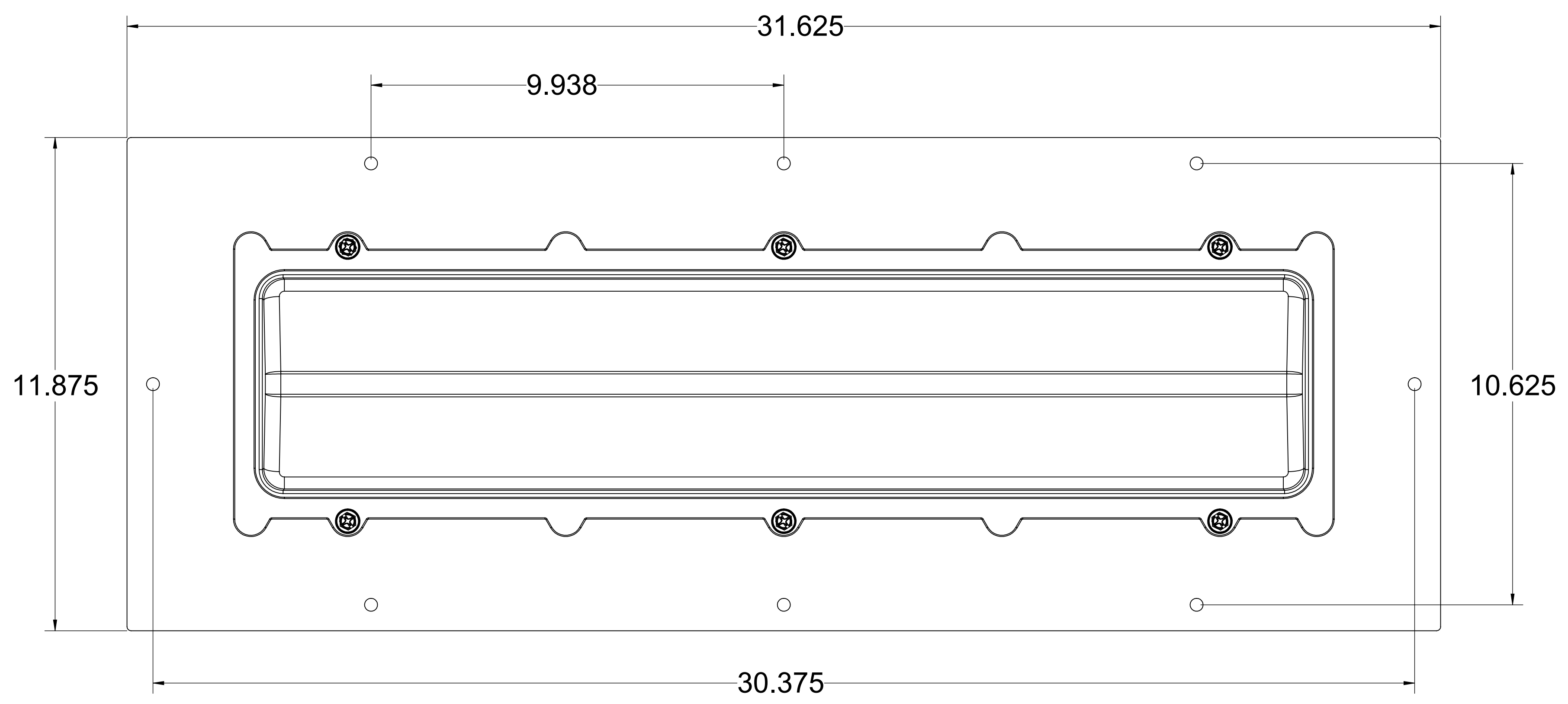
2

1

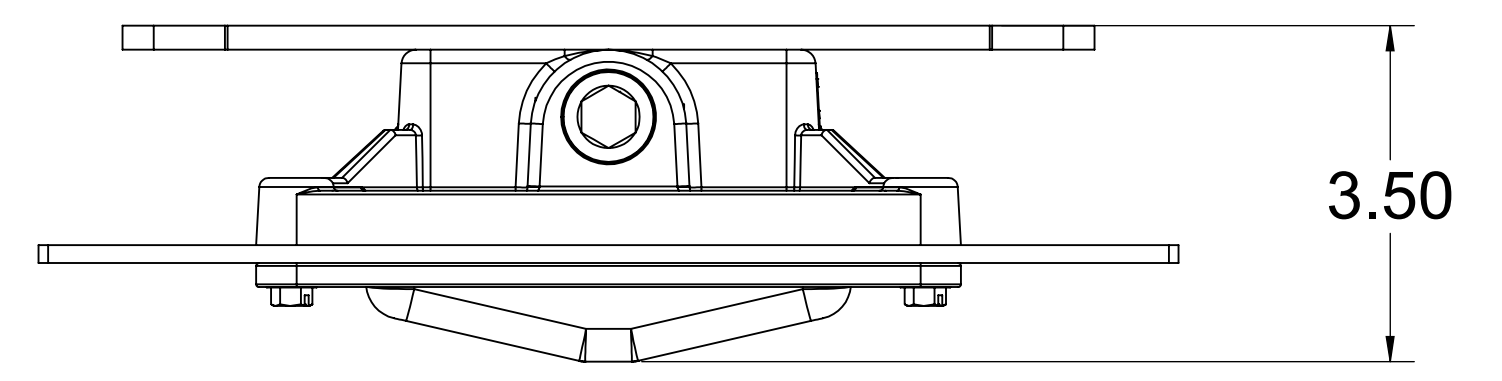
8 7 6 5 4 3 2 1

D

D



333.2 and 342.3

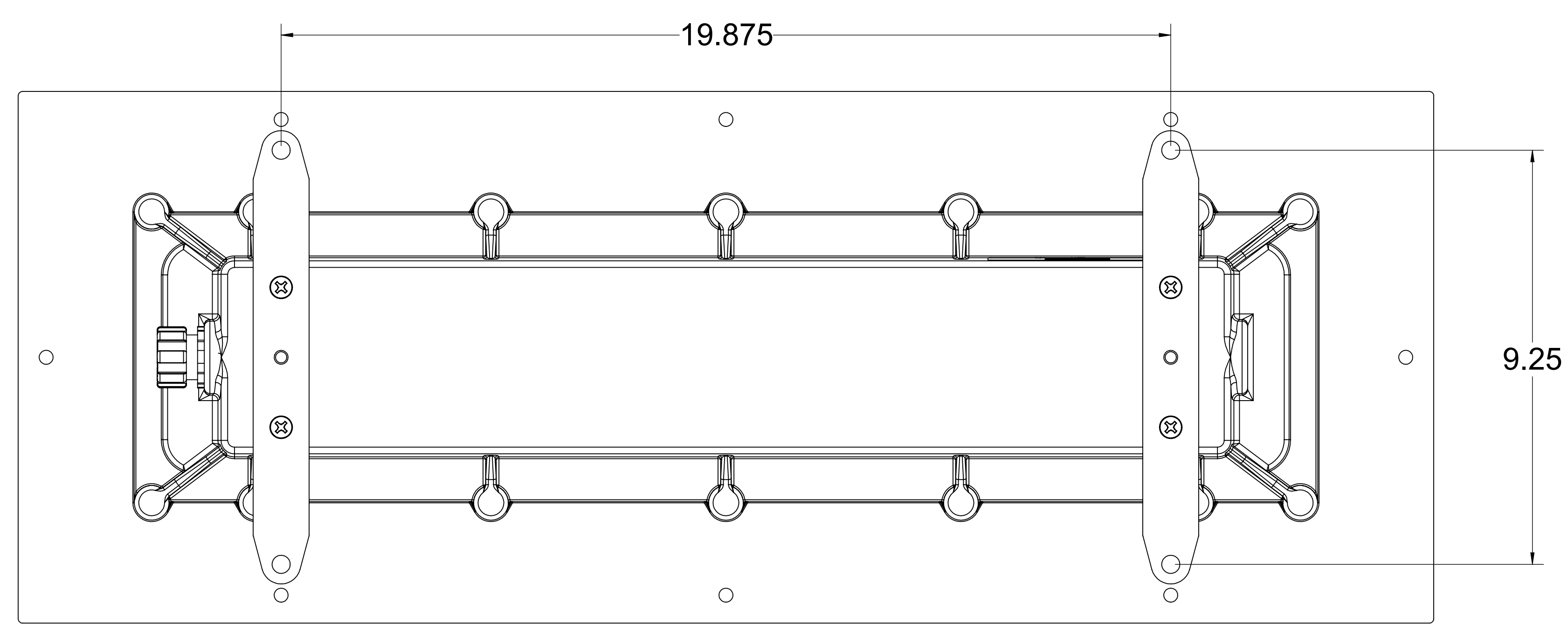


C

C

B

B



A

A

8 7 6 5 4 3 2 1