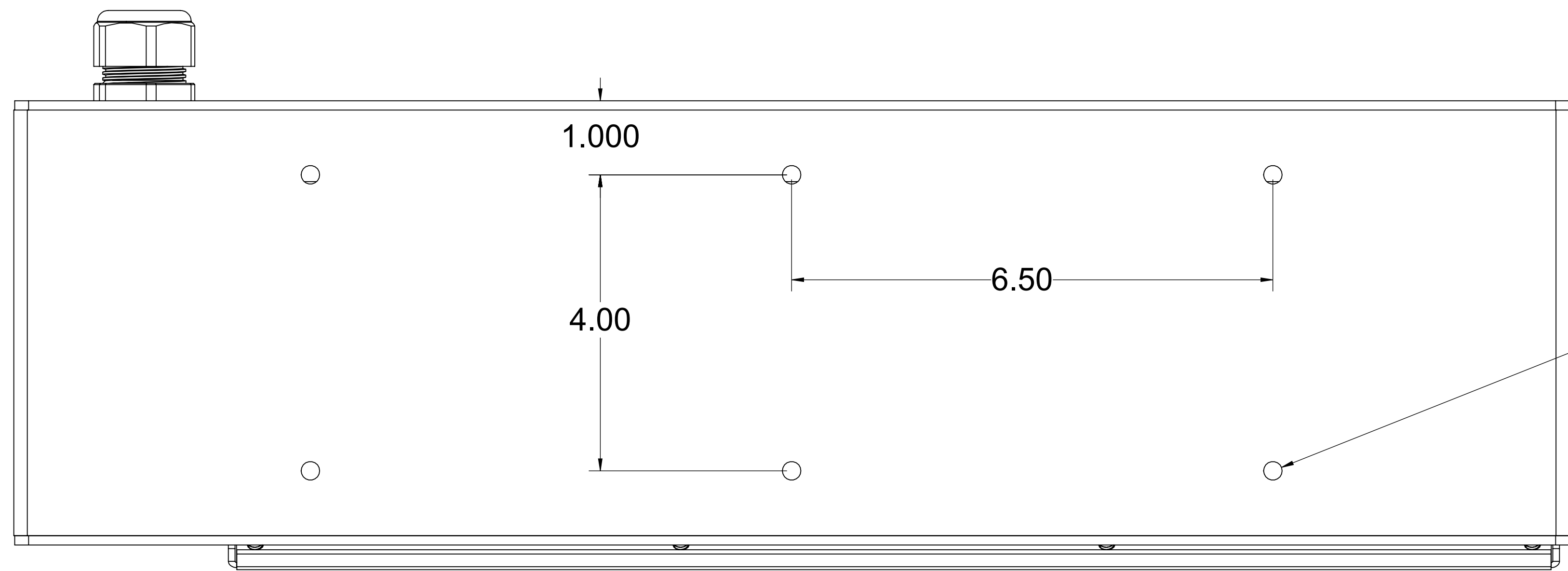
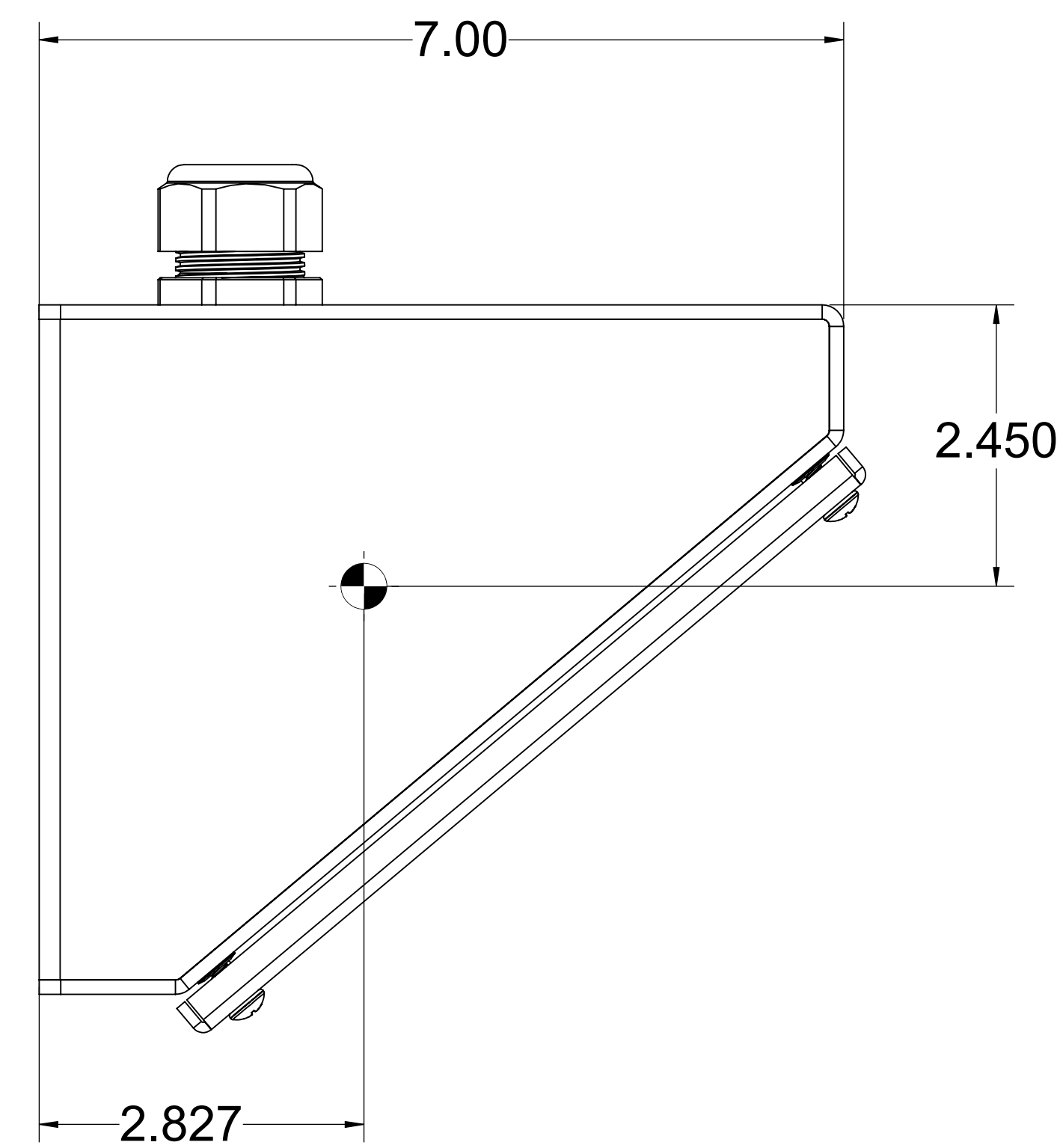
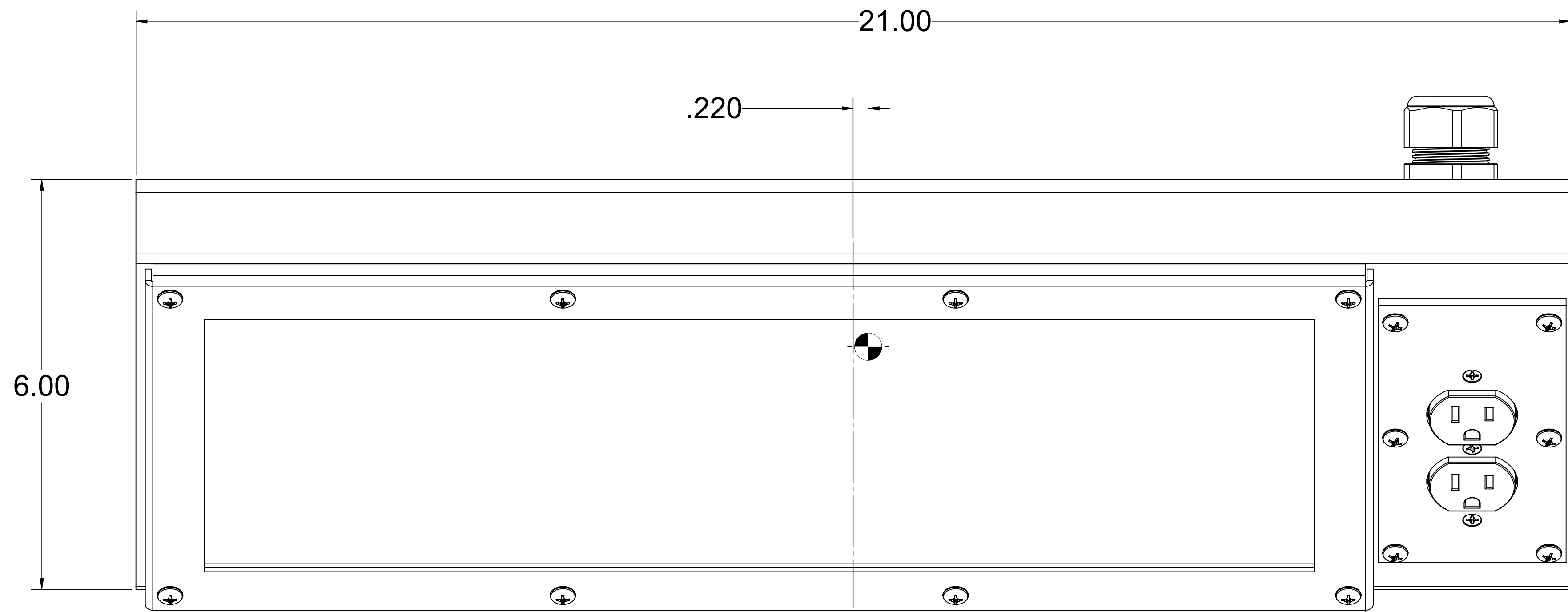


REVISIONS				
ZONE	REV.	DESCRIPTION	DATE	APPROVED
ALL	A	INITIAL RELEASE	2/12/26	2/12/26



FIXTURE WEIGHT (W/OUT CABLE) = 7 lbs - 8oz
115VAC, 60Hz, INPUT
20WATT, WHITE LIGHT OUTPUT

LLS MODEL NUMBER	DESCRIPTION
SSL-855-21-2-3-120	LIGHT, SSL20W, 120VAC, VANITY 21", DUPLEX OUTLET

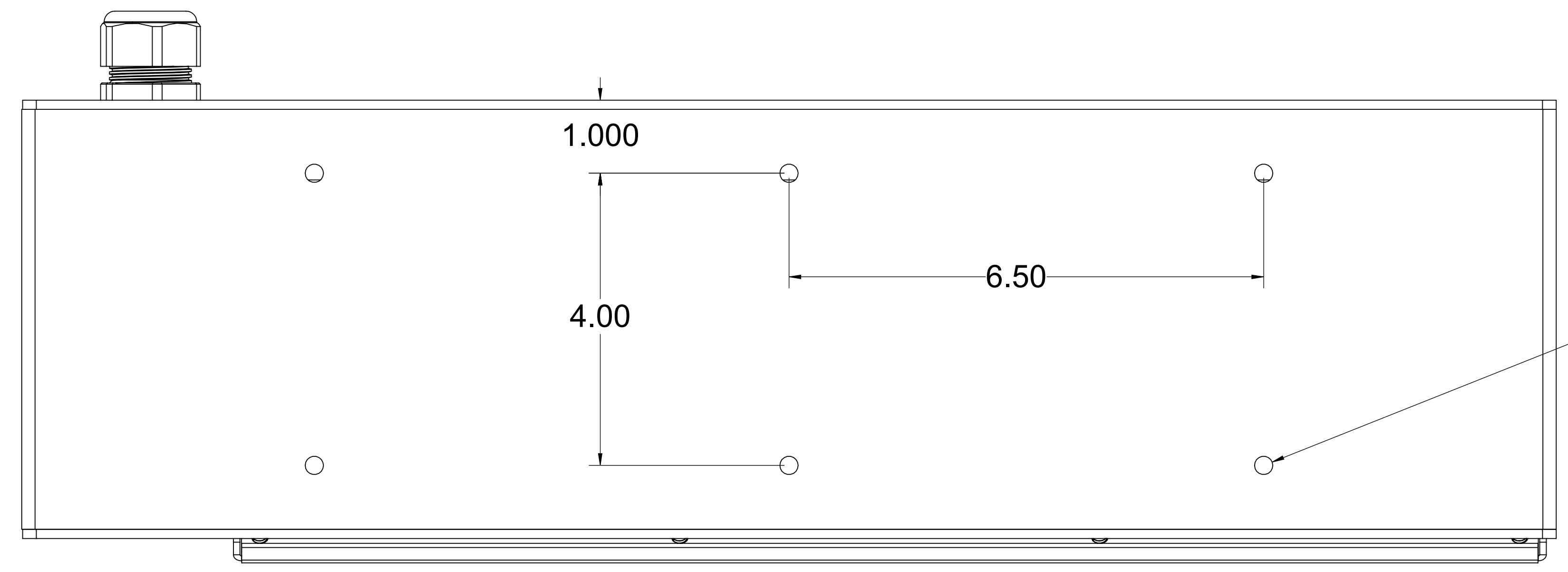
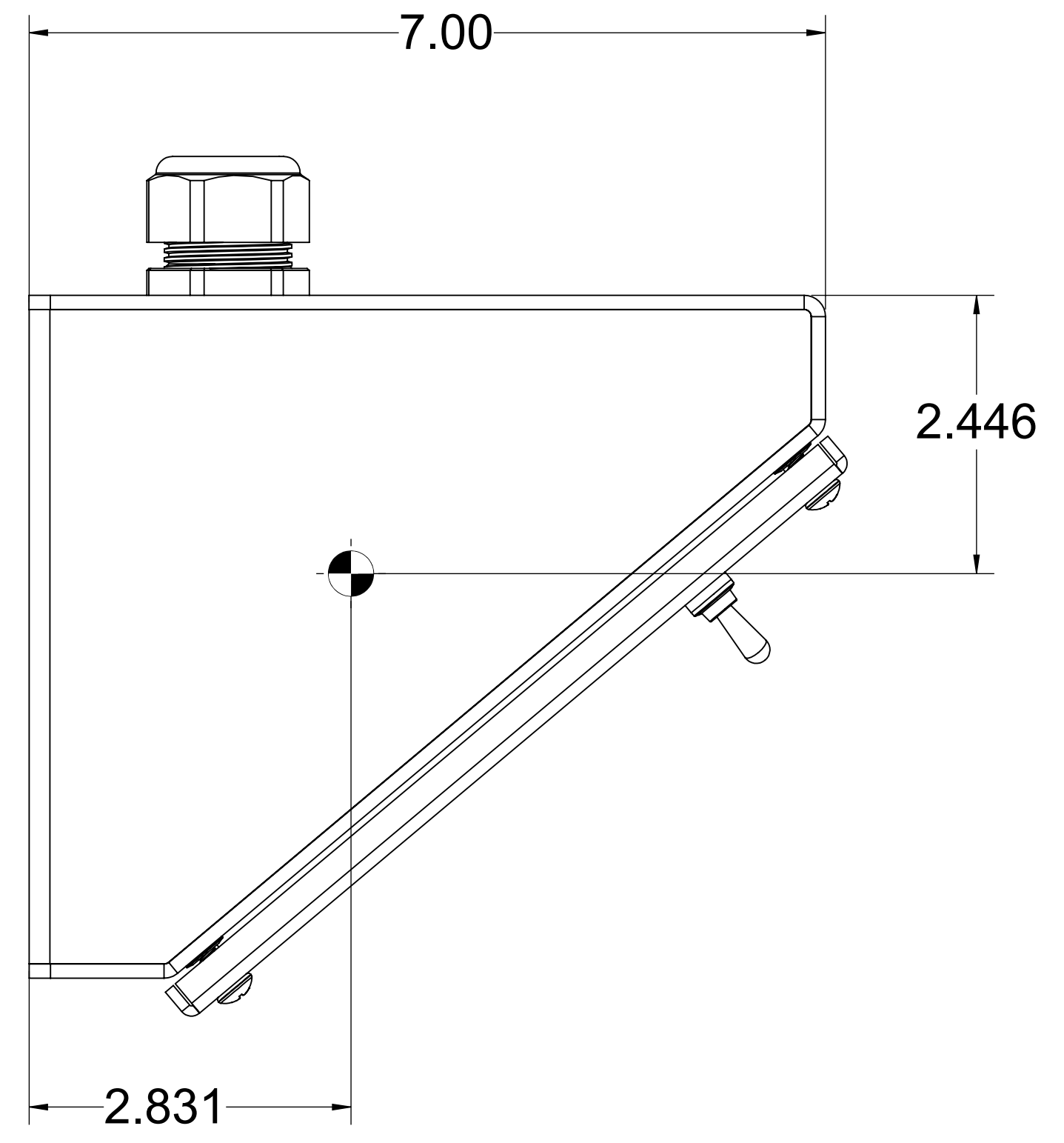
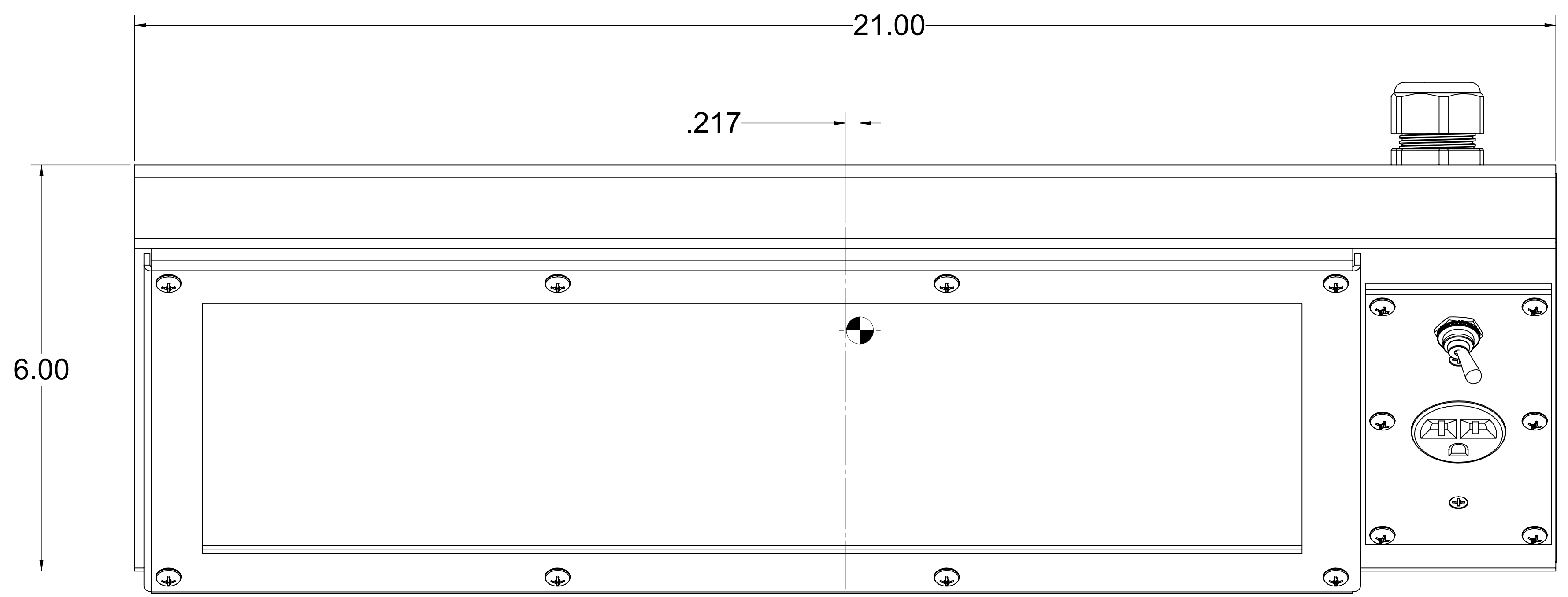
UNLESS OTHERWISE SPECIFIED: DIMENSIONS ARE IN INCHES TOLERANCES: ANGULAR ± 1 DEG TWO PLACE DECIMAL ±0.01 THREE PLACE DECIMAL ±0.005		NAME DARRELL P.	DATE 2/12/26
PROPERTY AND CONFIDENTIAL THE INFORMATION CONTAINED IN THIS DRAWING IS THE SOLE PROPERTY OF [INSERT COMPANY NAME HERE]. ANY REPRODUCTION IN PART OR AS A WHOLE WITHOUT THE WRITTEN PERMISSION OF [INSERT COMPANY NAME HERE] IS PROHIBITED.		CHECKED DARRELL P.	ENG APPR. DARRELL P.
MATERIAL N/A		IMFG APPR. DARRELL P.	SCALE: 1:4
FINISH N/A		DO NOT SCALE DRAWING	CAGE CODE: 6Q972
		SCALE: 1:4	SHEET 1 OF 2

LLS VANITY LIGHT
21", DUPLEX OUTLET

D SSL-855-21-2-3-120 **A**

8 7 6 5 4 3 2 1

REVISIONS				
ZONE	REV.	DESCRIPTION	DATE	APPROVED
ALL	A	INITIAL RELEASE	3/21/25	3/21/25
ALL	B	CHANGED FIXTURE DESCRIPTION	2/12/26	2/12/26



FIXTURE WEIGHT (W/OUT CABLE) = 7 lbs - 8oz
 115VAC, 60Hz, INPUT
 20WATT, WHITE LIGHT OUTPUT

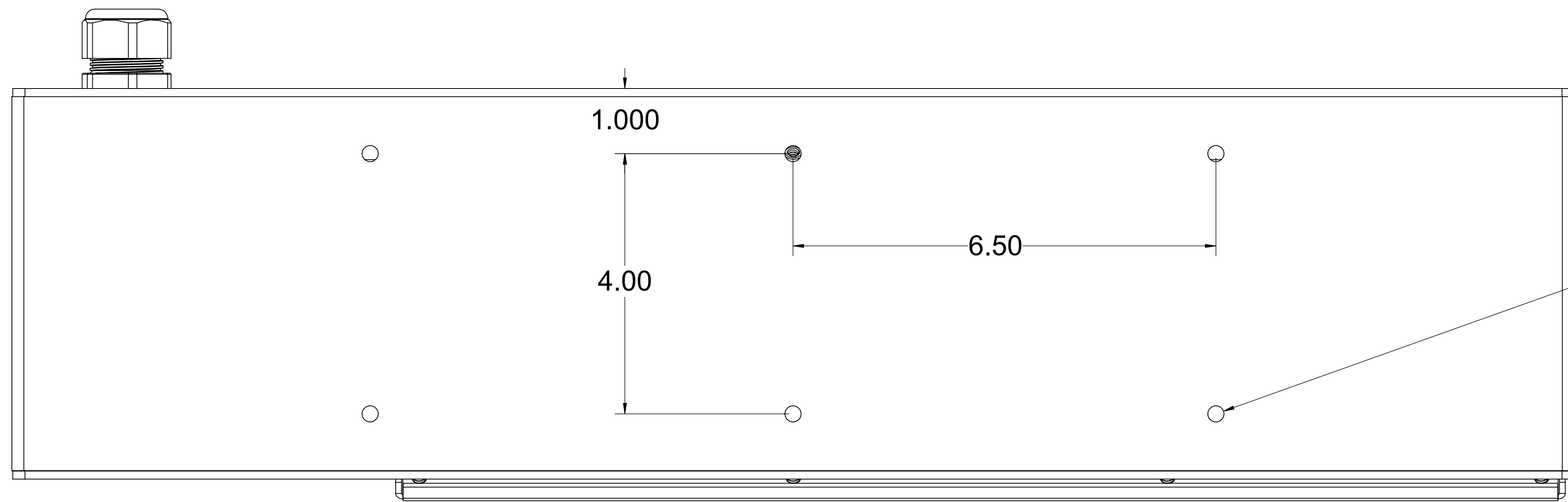
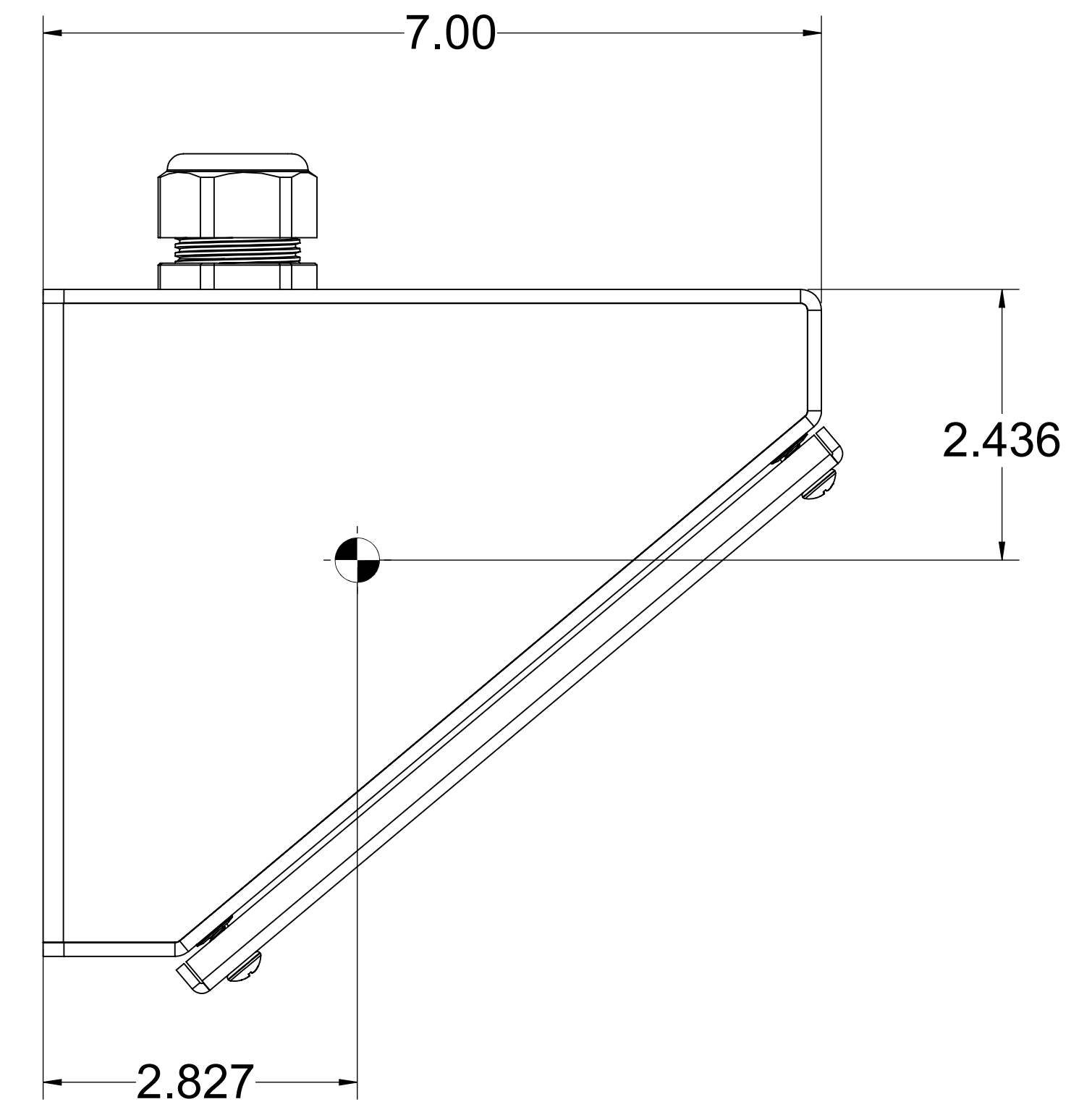
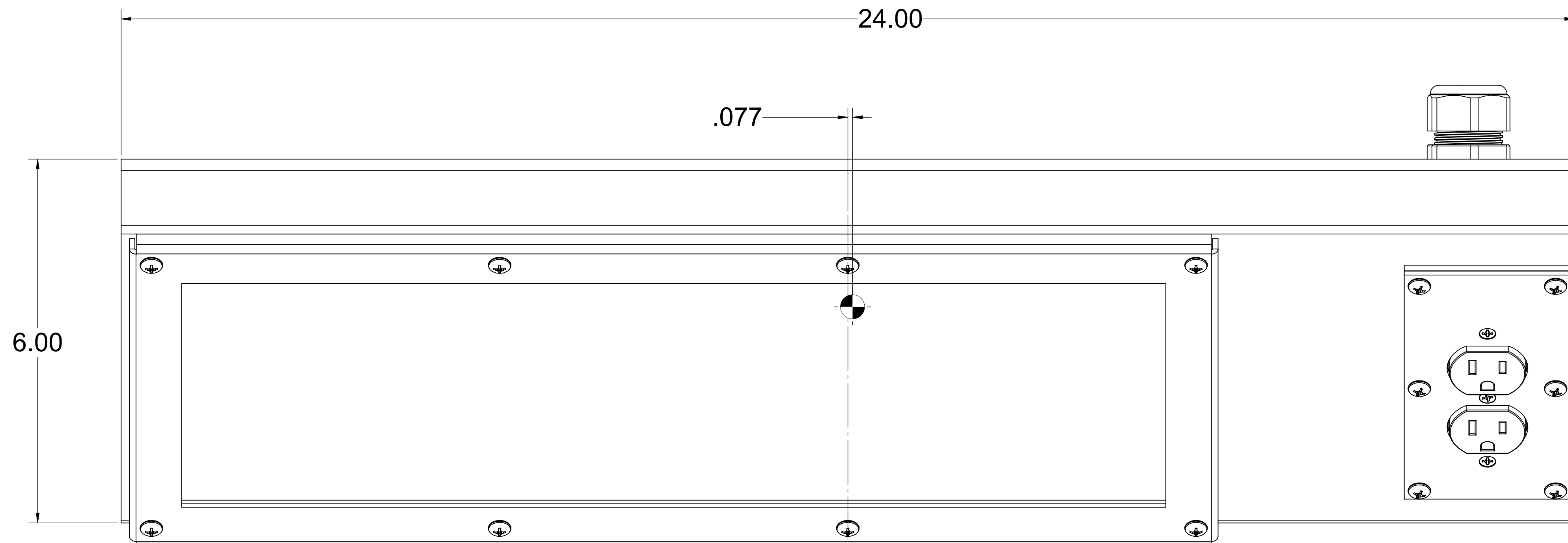
LED LIGHTING SOLUTIONS

LLS MODEL NUMBER	DESCRIPTION
SSL-855-21-1-4-120	LIGHT, SSL20W, 120VAC, VANITY 21", SINGLE OUTLET, DPST SWITCH

<small>UNLESS OTHERWISE SPECIFIED: DIMENSIONS ARE IN INCHES TOLERANCES: ANGULAR ± .05 DEG TWO PLACE DECIMAL ±0.01 THREE PLACE DECIMAL ±0.005</small>	NAME	DATE	LLS VANITY LIGHT 21", SGL OUTLET W/ SW	
	DRAWN	DARRELL P.		2/12/26
	CHECKED	DARRELL P.		
	ENG APPR.	DARRELL P.		
<small>PROPRIETARY AND CONFIDENTIAL THE INFORMATION CONTAINED IN THIS DRAWING IS THE SOLE PROPERTY OF LED LIGHTING SOLUTIONS. ANY REPRODUCTION IN PART OR AS A WHOLE WITHOUT THE WRITTEN PERMISSION OF LED LIGHTING SOLUTIONS IS PROHIBITED.</small>	MATERIAL	N/A	SIZE DWG. NO. REV D SSL-855-21-1-4-120 A	
	FINISH	N/A	SCALE: 1:4 CAGE CODE: 6Q972 SHEET 1 OF 2	
	DO NOT SCALE DRAWING	G.A.		

8 7 6 5 4 3 2 1

REVISIONS				
ZONE	REV.	DESCRIPTION	DATE	APPROVED
ALL	A	INITIAL RELEASE	2/12/26	2/12/26



Ø .25 THRU

FIXTURE WEIGHT (W/OUT CABLE) = 8 lbs - 5oz
 115VAC, 60Hz, INPUT
 20WATT, WHITE LIGHT OUTPUT

LLS MODEL NUMBER	DESCRIPTION
SSL-855-24-2-3-120	LIGHT, SSL20W, 120VAC, VANITY 24", DUPLEX OUTLET

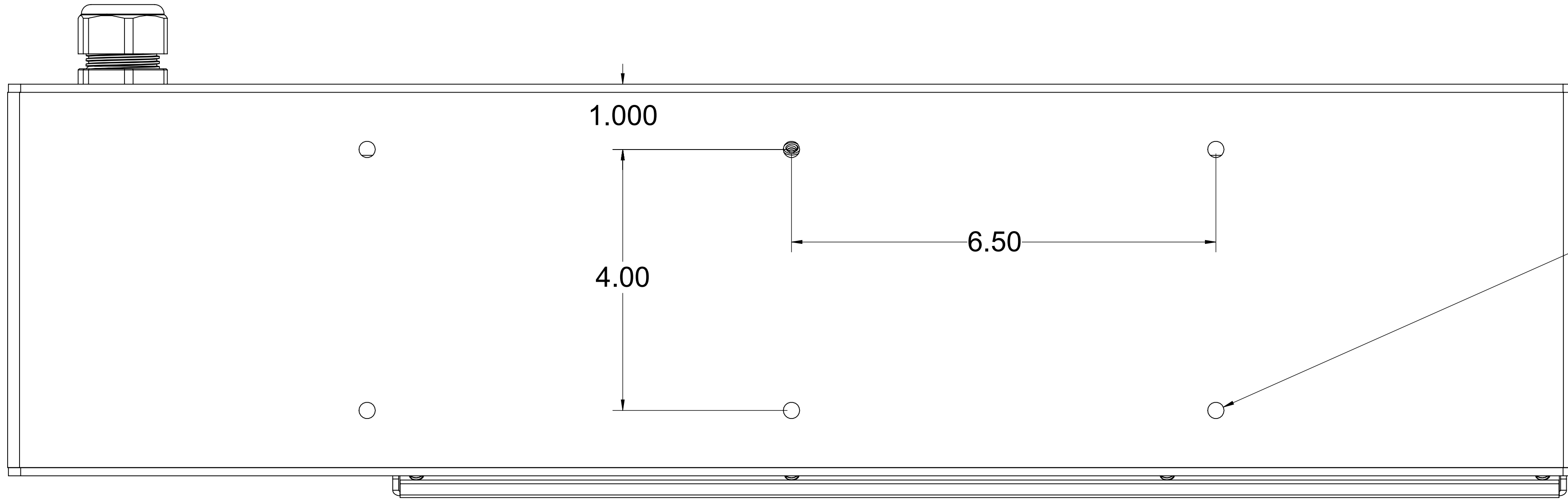
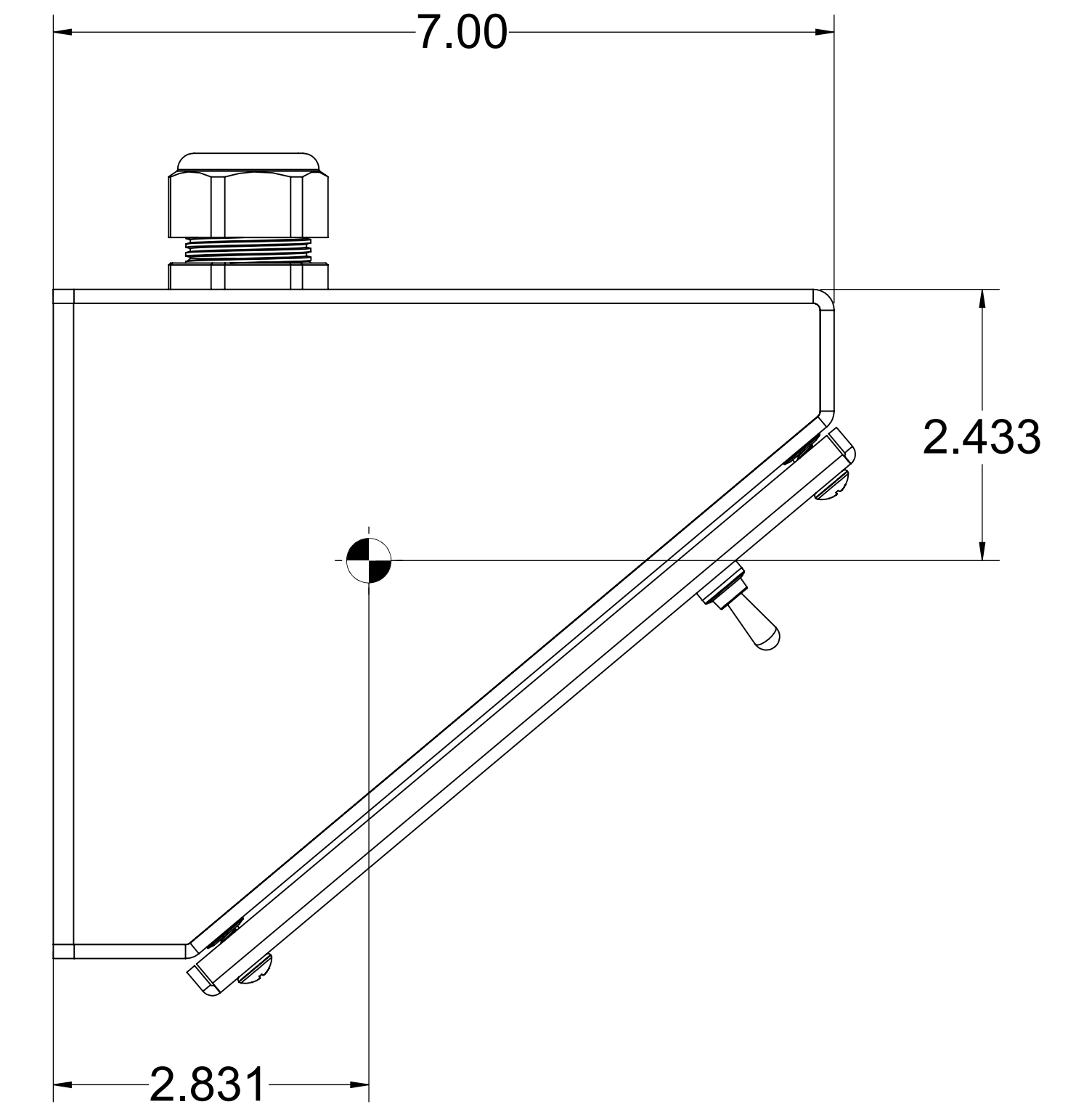
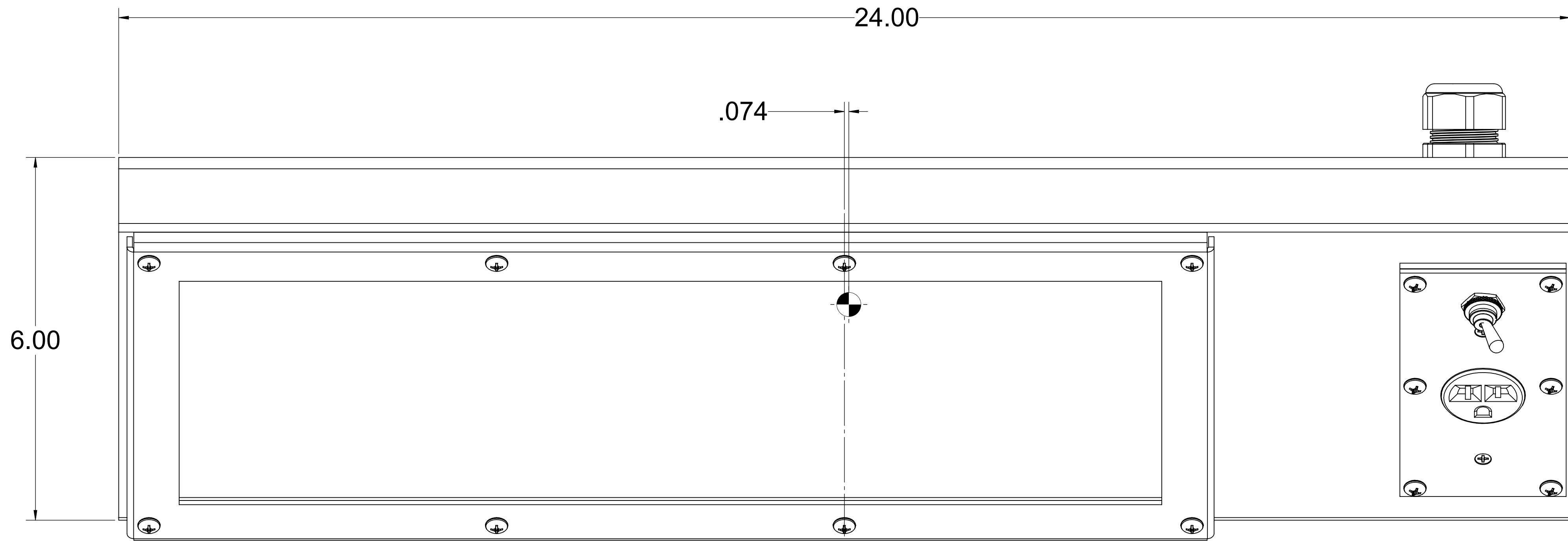
LED LIGHTING SOLUTIONS

UNLESS OTHERWISE SPECIFIED: DIMENSIONS ARE IN INCHES TOLERANCES: ANGULAR ± 1 DEG TWO PLACE DECIMAL ±0.01 THREE PLACE DECIMAL ±0.005		NAME DARRELL P.	DATE 2/12/26
MATERIAL N/A		CHECKED DARRELL P.	
FINISH N/A		ENG APPR. DARRELL P.	
DO NOT SCALE DRAWING		Q.A. DARRELL P.	

LLS VANITY LIGHT 24", DUPLEX OUTLET	
SIZE D	DWG. NO. SSL-855-24-2-3-120
REV A	

SCALE: 1:4 CAGE CODE: 6Q972 SHEET 1 OF 2

REVISIONS				
ZONE	REV.	DESCRIPTION	DATE	APPROVED
ALL	A	INITIAL RELEASE	3/21/25	3/21/25



FIXTURE WEIGHT (W/OUT CABLE) = 8 lbs - 5oz
 115VAC, 60Hz, INPUT
 20WATT, WHITE LIGHT OUTPUT

LLS MODEL NUMBER	DESCRIPTION
SSL-855-24-1-4-120	LIGHT, SSL20W, 120VAC, VANITY 24", SINGLE OUTLET, DPST SWITCH

UNLESS OTHERWISE SPECIFIED:
 DIMENSIONS ARE IN INCHES
 TOLERANCES:
 ANGULAR ± 1 DEG
 TWO PLACE DECIMAL ±0.01
 THREE PLACE DECIMAL ±0.005

MATERIAL	N/A	CHECKED	DARRELL P.
FINISH	N/A	ENG APPR	DARRELL P.
		IMG APPR	DARRELL P.
		Q.A.	DARRELL P.

PROPERTY AND CONFIDENTIAL
 THE INFORMATION CONTAINED IN THIS DRAWING IS THE SOLE PROPERTY OF [INSERT COMPANY NAME HERE]. ANY REPRODUCTION IN PART OR AS A WHOLE WITHOUT THE WRITTEN PERMISSION OF [INSERT COMPANY NAME HERE] IS PROHIBITED.

LED LIGHTING SOLUTIONS

LLS VANITY LIGHT 24",
 SGL OUTLET W/ SW

DATE	2/12/25
NAME	DARRELL P.
SCALE	4:5
CAGE CODE	6Q972
SHEET	1 OF 2

REV. A