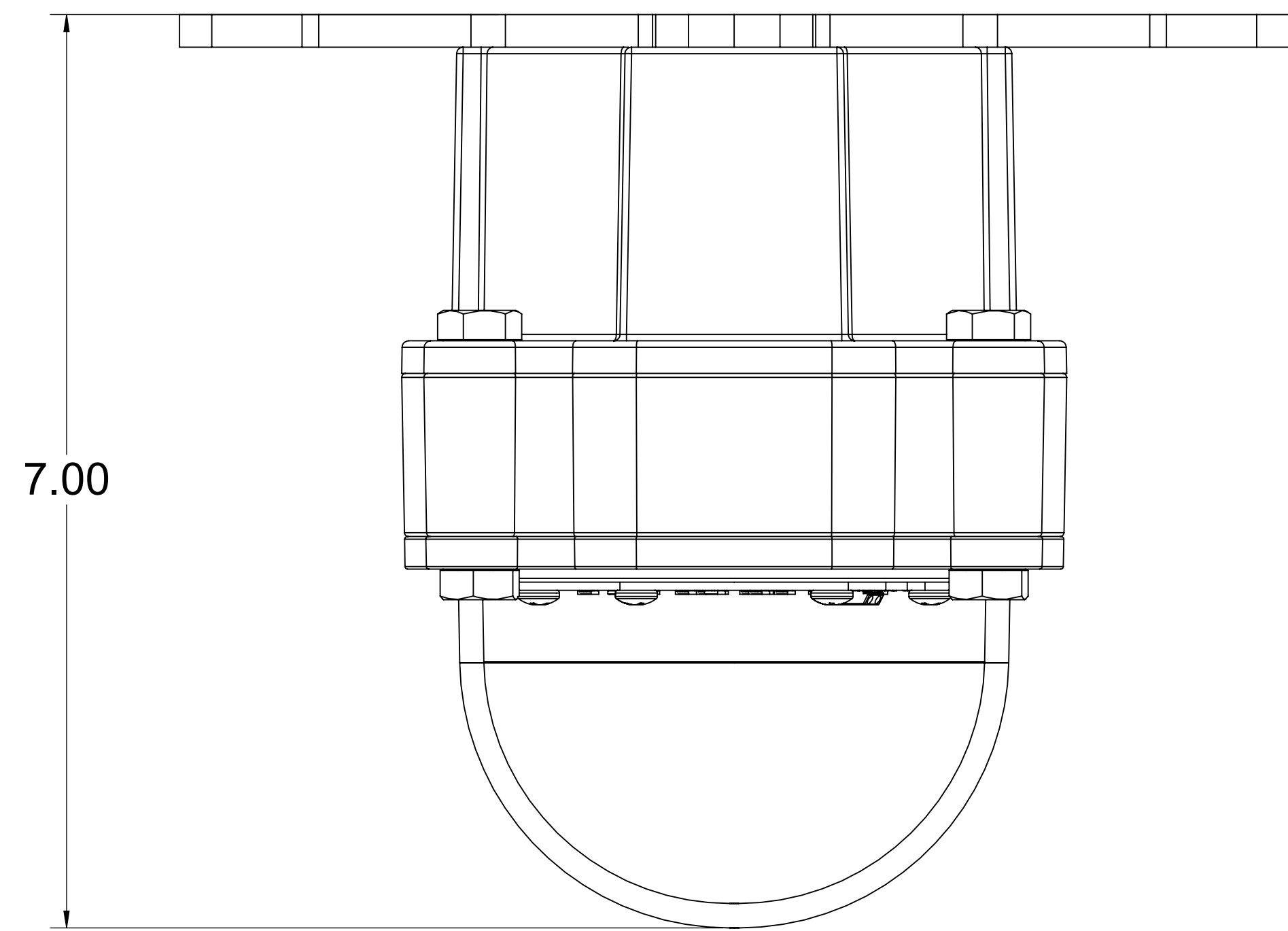
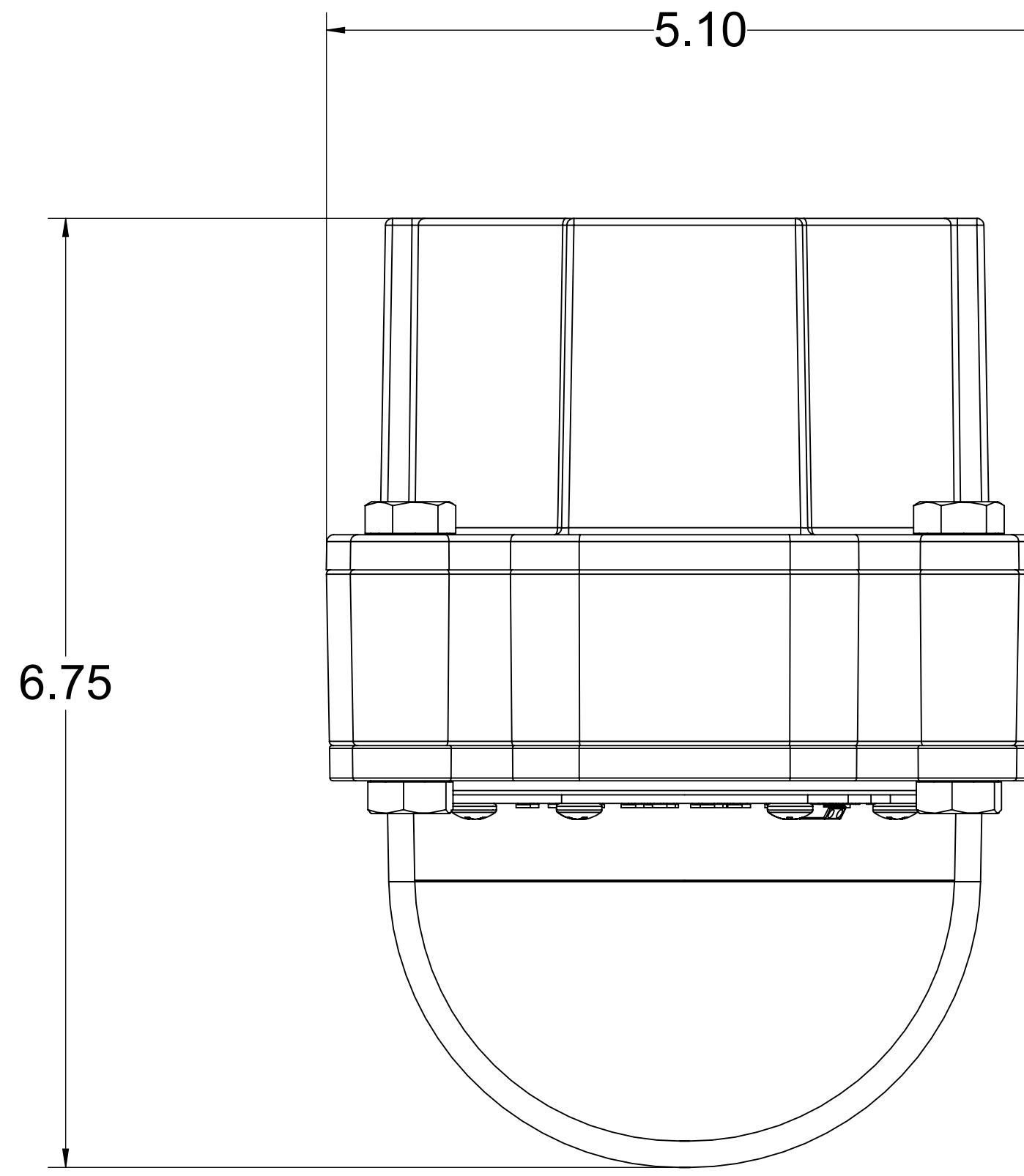


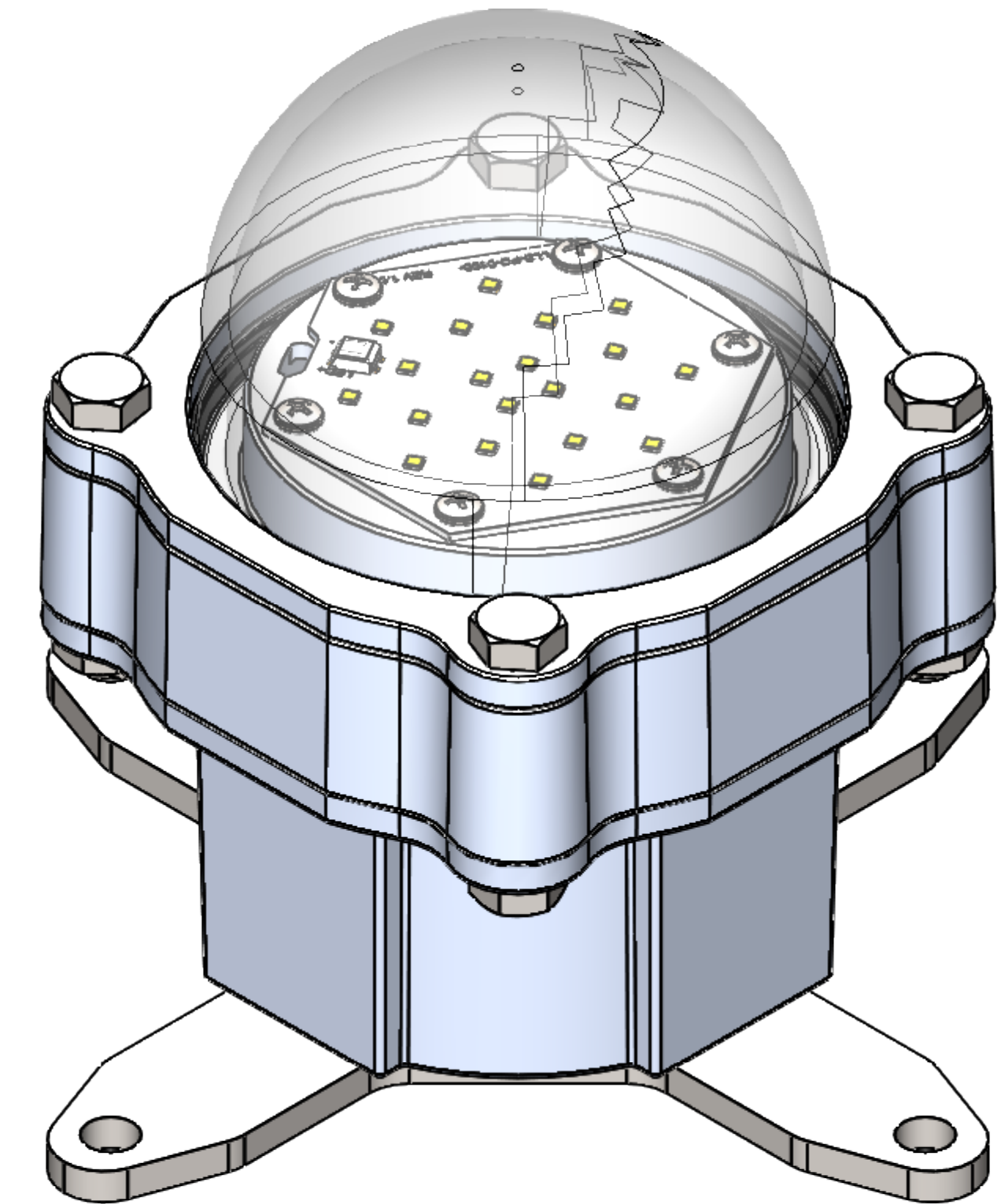
REVISIONS				
ZONE	REV.	DESCRIPTION	DATE	APPROVED
ALL	A	INITIAL RELEASE	11/4/25	11/4/25



M16377/26 OPTION
5LBS 6OZ



M16377/27 OPTION
3LBS 15OZ



MODEL NUMBER	DESCRIPTION
LLS-560-92.2	LLS GLOBE, WHITE, 10W
LLS-560-93.2	LLS GLOBE, RED, 5W
LLS-560-93.4	LLS GLOBE, WHITE, 5W
LLS-560-93.5	LLS GLOBE, AMBER, 5W
LLS-560-112	LLS GLOBE, WHITE, 25W
LLS-560-113	LLS GLOBE, RED, 10W
LLS-560-113.1	LLS GLOBE, YELLOW, 10W

UNLESS OTHERWISE SPECIFIED:
DIMENSIONS ARE IN INCHES
TOLERANCES:
ANGULAR ± 1 DEG
TWO PLACE DECIMAL ±0.01
THREE PLACE DECIMAL ±0.005

PROPERTY AND CONFIDENTIAL
THE INFORMATION CONTAINED IN THIS DRAWING IS THE SOLE PROPERTY OF [INSERT COMPANY NAME HERE]. ANY REPRODUCTION IN PART OR AS A WHOLE WITHOUT THE WRITTEN PERMISSION OF [INSERT COMPANY NAME HERE] IS PROHIBITED.

DRAWN	NAME	DATE	LLS GLOBE FIXTURE
CHECKED	DARRELL P.	11/4/25	
ENG APPR.	DARRELL P.		
MFG APPR.	DARRELL P.		

MATERIAL: DIECAST ALUMINUM
FINISH: POWDERCOAT
DO NOT SCALE DRAWING

SCALE: 1:2 CAGE CODE: 6Q972 SHEET 1 OF 2

REV: A